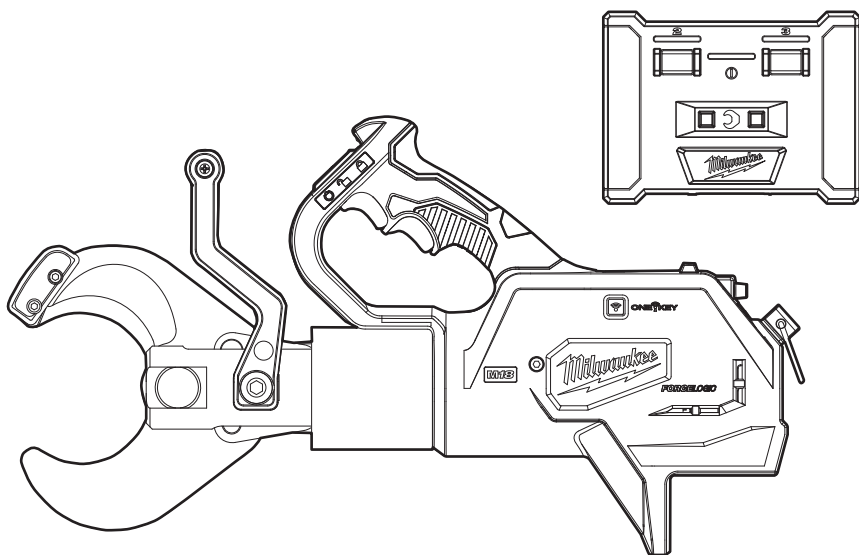




OPERATOR'S MANUAL



Cat. No.
M18 HCC75R

M18™ FORCELOGIC™ 75mm (3") UNDERGROUND CABLE CUTTER WITH WIRELESS REMOTE

 **WARNING**

To reduce the risk of injury, user must read and understand operator's manual.



GENERAL POWER TOOL SAFETY WARNINGS

⚠WARNING Read all safety warnings, instructions, illustrations and specifications provided with this power tool. Failure to follow all instructions listed below may result in electric shock, fire and/or serious injury. **Save all warnings and instructions for future reference.** The term "power tool" in the warnings refers to your mains-operated (corded) power tool or battery-operated (cordless) power tool.

WORK AREA SAFETY

- **Keep work area clean and well lit.** Cluttered or dark areas invite accidents.
- **Do not operate power tools in explosive atmospheres, such as in the presence of flammable liquids, gases or dust.** Power tools create sparks which may ignite the dust or fumes.
- **Keep children and bystanders away while operating a power tool.** Distractions can cause you to lose control.

ELECTRICAL SAFETY

- **Power tool plugs must match the outlet. Never modify the plug in any way. Do not use any adapter plugs with earthed (grounded) power tools.** Unmodified plugs and matching outlets will reduce risk of electric shock.
- **Avoid body contact with earthed or grounded surfaces, such as pipes, radiators, ranges and refrigerators.** There is an increased risk of electric shock if your body is earthed or grounded.
- **Do not expose power tools to rain or wet conditions.** Water entering a power tool will increase the risk of electric shock.
- **Do not abuse the cord. Never use the cord for carrying, pulling or unplugging the power tool. Keep cord away from heat, oil, sharp edges or moving parts.** Damaged or entangled cords increase the risk of electric shock.
- **When operating a power tool outdoors, use an extension cord suitable for outdoor use.** Use of a cord suitable for outdoor use reduces the risk of electric shock.
- **If operating a power tool in a damp location is unavoidable, use a residual current device (RCD) protected supply.** Use of an RCD reduces the risk of electric shock.

PERSONAL SAFETY

- **Stay alert, watch what you are doing and use common sense when operating a power tool. Do not use a power tool while you are tired or under the influence of drugs, alcohol or medication.** A moment of inattention while operating power tools may result in serious personal injury.
- **Use personal protective equipment. Always wear eye protection.** Protective equipment such as a dust mask, non-skid safety shoes, hard hat or hearing protection used for appropriate conditions will reduce personal injuries.
- **Prevent unintentional starting. Ensure the switch is in the off-position before connecting to power source and/or battery pack, picking up or carrying the tool.** Carrying power tools with your finger on the switch or energising power tools that have the switch on invites accidents.

- **Remove any adjusting key or wrench before turning the power tool on.** A wrench or a key left attached to a rotating part of the power tool may result in personal injury.
- **Do not overreach. Keep proper footing and balance at all times.** This enables better control of the power tool in unexpected situations.
- **Dress properly. Do not wear loose clothing or jewelry. Keep your hair and clothing away from moving parts.** Loose clothes, jewelry or long hair can be caught in moving parts.
- **If devices are provided for the connection of dust extraction and collection facilities, ensure these are connected and properly used.** Use of dust collection can reduce dust-related hazards.
- **Do not let familiarity gained from frequent use of tools allow you to become complacent and ignore tool safety principles.** A careless action can cause severe injury within a fraction of a second.

POWER TOOL USE AND CARE

- **Do not force the power tool. Use the correct power tool for your application.** The correct power tool will do the job better and safer at the rate for which it was designed.
- **Do not use the power tool if the switch does not turn it on and off.** Any power tool that cannot be controlled with the switch is dangerous and must be repaired.
- **Disconnect the plug from the power source and/or remove the battery pack, if detachable, from the power tool before making any adjustments, changing accessories, or storing power tools.** Such preventive safety measures reduce the risk of starting the power tool accidentally.
- **Store idle power tools out of the reach of children and do not allow persons unfamiliar with the power tool or these instructions to operate the power tool.** Power tools are dangerous in the hands of untrained users.
- **Maintain power tools and accessories. Check for misalignment or binding of moving parts, breakage of parts and any other condition that may affect the power tool's operation. If damaged, have the power tool repaired before use.** Many accidents are caused by poorly maintained power tools.
- **Keep cutting tools sharp and clean.** Properly maintained cutting tools with sharp cutting edges are less likely to bind and are easier to control.
- **Use the power tool, accessories and tool bits etc. in accordance with these instructions, taking into account the working conditions and the work to be performed.** Use of the power tool for operations different from those intended could result in a hazardous situation.
- **Keep handles and grasping surfaces dry, clean and free from oil and grease.** Slippery handles and grasping surfaces do not allow for safe handling and control of the tool in unexpected situations.

BATTERY TOOL USE AND CARE

- **Recharge only with the charger specified by the manufacturer.** A charger that is suitable for one type of battery pack may create a risk of fire when used with another battery pack.
- **Use power tools only with specifically designated battery packs.** Use of any other battery packs may create a risk of injury and fire.
- **When battery pack is not in use, keep it away from other metal objects, like paper clips, coins, keys, nails, screws or other small metal objects, that can make a connection from one terminal to another.** Shorting the battery terminals together may cause burns or a fire.
- **Under abusive conditions, liquid may be ejected from the battery; avoid contact. If contact accidentally occurs, flush with water. If liquid contacts eyes, additionally seek medical help.** Liquid ejected from the battery may cause irritation or burns.
- **Do not use a battery pack or tool that is damaged or modified.** Damaged or modified batteries may exhibit unpredictable behavior resulting in fire, explosion or risk of injury.
- **Do not expose a battery pack or tool to fire or excessive temperature.** Exposure to fire or temperature above 130°C (265°F) may cause explosion.
- **Follow all charging instructions and do not charge the battery pack or tool outside the temperature range specified in the instructions.** Charging improperly or at temperatures outside the specified range may damage the battery and increase the risk of fire.

SERVICE

- **Have your power tool serviced by a qualified repair person using only identical replacement parts.** This will ensure that the safety of the power tool is maintained.
- **Never service damaged battery packs.** Service of battery packs should only be performed by the manufacturer or authorised service providers.

SPECIFIC SAFETY RULES FOR CABLE CUTTER

- **Keep hands away from all cutting edges and moving parts.** Laceration and amputation can occur.
- **To reduce the risk of injury, wear safety goggles or glasses with side shields when operating or servicing the tool.** Material may crack or shatter.
- **⚠️ WARNING To reduce the risk of explosion, electric shock and property damage, do not use on live electrical lines. Tool is NOT insulated. Contact with a live circuit could result in severe injury or death.** Turn off power before making a cut. Never cut gas or water lines.
- **Use auxiliary handle(s), if supplied with the tool.** Loss of control can cause personal injury.
- **Maintain labels and nameplates.** These carry important information. If unreadable or missing, contact a MILWAUKEE® service facility for a replacement.

- **⚠️ WARNING** Some dust created by power sanding, sawing, grinding, drilling, and other construction activities contains chemicals known to cause cancer, birth defects or other reproductive harm. Some examples of these chemicals are:
 - lead from lead-based paint
 - crystalline silica from bricks and cement and other masonry products, and
 - arsenic and chromium from chemically-treated lumber.

Your risk from these exposures varies, depending on how often you do this type of work. To reduce your exposure to these chemicals: work in a well ventilated area, and work with approved safety equipment, such as those dust masks that are specially designed to filter out microscopic particles.

ADDITIONAL BATTERY SAFETY RULES

- **⚠️ WARNING** To reduce the risk of fire, personal injury, and product damage due to a short circuit, never immerse your tool, battery pack or charger in fluid or allow a fluid to flow inside them. Corrosive or conductive fluids, such as seawater, certain industrial chemicals, and bleach or bleach-containing products, etc., can cause a short circuit.

SYMBOLOLOGY



Volts



Direct Current



Regulatory Compliance mark (RCM). This product meets applicable regulatory requirements.



⚠️ WARNING To reduce the risk of explosion, electric shock and property damage, do not use on live electrical lines. Tool is NOT insulated. Contact with a live circuit could result in severe injury or death. Turn off power before making a cut. Never cut gas or water lines.



⚠️ WARNING Keep hands away from all cutting edges and moving parts. Laceration and amputation can occur.



To reduce the risk of injury, wear safety goggles or glasses with side shields when operating or servicing the tool.



Read operator's manual.



kV

Kilo volts

kN

Kilo Newtons

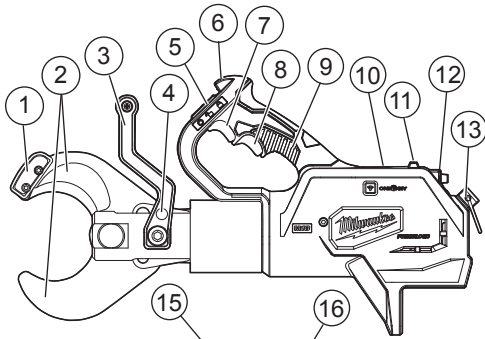
Cu

Copper

Al

Aluminum

FUNCTIONAL DESCRIPTION



1. Blade retainer
2. Blades
3. Front handle
4. Grounding lug
5. Trigger lock
6. LED
7. Trigger
8. Release trigger
9. Handle
10. ONE-KEY battery door
11. Remote cut light
12. Remote cut switch
13. Hanger
14. Remote power switch 1
15. Remote button 2
16. Remote button 3
17. Remote cut indicators

SPECIFICATIONS

Cat. No.	M18 HCC75R
Volts.....	18V DC
Battery Type	M18™
Charger Type	M18™
Force.....	77.8 kN
Recommended Ambient Operating Temperature.....	-18°C to 51°C (0°F to 125°F)
High Voltage Field Rating	34.5 kV
Frequency.....	2400-2483.5 MHz
Max Capacity * †	
Single Conductor.....	760mm ² Cu, 15kV 760mm ² Al, 46kV
3 Conductors	185mm ² Cu, 15 kV
3 Conductor Single Cable.....	3x240mm ² 3x400mm ² MCM Al

* Do Not Cut Steel

† In Remote Mode, only make Single Conductor cuts
Volts.....6V DC (1.5V AA x 4)

* Rating applies to wireless remote

Replacement Blade Cat No.....49162774
Remote Cat. No.....22802776

ASSEMBLY

WARNING Recharge only with the charger specified for the battery. For specific charging instructions, read the operator's manual supplied with your charger and battery.

Removing/Inserting the Battery

To **remove** the battery, push in the release buttons and pull the battery pack away from the tool.

WARNING Always remove battery pack before changing or removing accessories.

To **insert** the battery, slide the pack into the body of the tool. Make sure it latches securely into place.

WARNING Only use accessories specifically recommended for this tool. Others may be hazardous.

Blades are sharp. Keep hands away from cutting edge. Laceration can occur.

Changing the Blades


Replace the blades when they become chipped or damaged. Always replace blades as a set. Use only MILWAUKEE® blades. Refer to Specifications for replacement blade numbers.

1. Pull the trigger to close the blades slightly. The retaining rings must be exposed.
2. Remove the battery pack.
3. Use a wrench or pliers to remove the blade nuts and remove the blade bolt.
4. Remove the retaining ring and pull out the pin from one of the blades.
5. **NOTE:** Take notice of the blade orientation so the new blades can be installed the same way. The blades should be oriented so the flat sides contact and the bevels face away from each other, like a pair of scissors.
6. Carefully remove the blade.
7. Install the new blade in the same orientation.
8. Slide the pin through the blade and bracket. Replace the retaining ring.
9. Repeat steps 4 to 8 for the other blade.
10. Insert the blade bolt.
11. Thread the inner blade nut onto the blade bolt and hand-tighten.
12. Thread the outer blade nut onto the blade bolt. Holding the inner blade nut motionless, tighten the outer blade nut to lock the nuts together.

Locking and Unlocking the Trigger

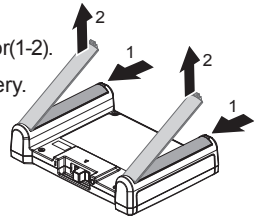
To **lock** the trigger, pull the trigger lock back.

To **unlock** the trigger, push the trigger lock to the center position.

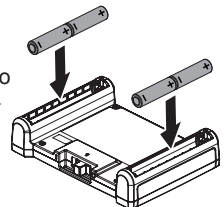
To lock for remote cut, pull the trigger and push the trigger to the  position. Pull the trigger again to release.

Replace the AA Batteries in the Wireless Remote

1. Open the battery door (1-2).
2. Remove the old battery.



3. Insert the new battery into the battery compartment.
4. Close the battery door.



OPERATION

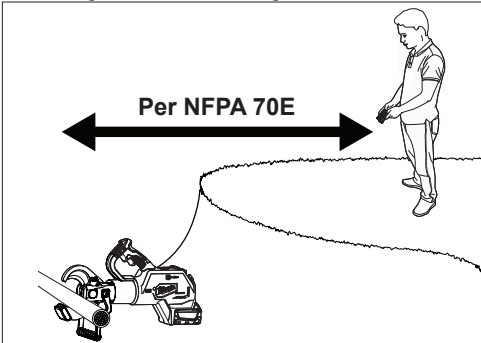
⚠WARNING To reduce the risk of explosion, electric shock and property damage, do not use on live electrical lines. Tool is NOT insulated. Contact with a live circuit could result in severe injury or death. Turn off power before making a cut. Never cut gas or water lines. Keep hands away from all cutting edges and moving parts. Laceration and amputation can occur.

Always remove battery pack before changing or removing accessories. Only use accessories specifically recommended for this tool. Others may be hazardous.

To reduce the risk of injury, wear safety goggles or glasses with side shields.

Remote Cutting

- Before cutting, ensure blades are properly installed.
- To set the tool on the ground, rotate the cutting head 180° to use the front handle as a "foot" and set the tool in position on the ground.
- To hang the tool, use the front handle and tool hanger to set the tool in a hanging position.
- Insert the workpiece squarely between the blades. Do not attempt to make angled cuts as it will damage the workpiece and blades.
- The range for remote cutting is 10 meters.



All steps must be completed in order! Once started, steps 1-4 must be completed with no more than 5 minutes between each step. If more than 5 minutes occurs, reset (see step 7) and begin again.

1. Turn ON (I) the remote cut switch on the tool to disable the trigger and turn on the wireless function.

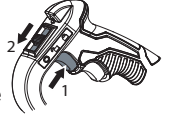
The tool's remote cut light will be steady red.



2. **WARNING!** Ensure the remote cut switch is ON before pulling 2 the trigger.

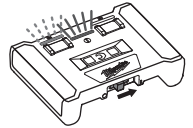
Pull the trigger (1) and slide the trigger lock to (2).

The tool's remote cut light will be flashing red.



WARNING! During the cut, remain outside the arc flash boundary in accordance with NFPA 70E for the system being cut.

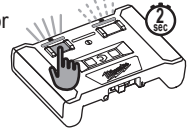
3. Turn ON (I) the remote.
Light 1 will be steady blue.
Light 2 will be flashing red.



NOTE: Light 1 flashing blue and Light 2 off indicates the remote is out of range of the tool. Move the remote closer to the tool.

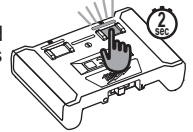
4. Press and hold button 2 for 2 seconds.

Light 2 will be steady red.
Light 3 will be flashing red.



5. **Within 20 seconds**, press and hold button 3 for 2 seconds to begin the cut.

Light 3 will be steady red.

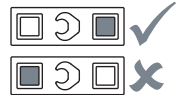


Release button 3, cutting will begin.

Note, if more than 20 seconds passes between step 4 and 5, reset (see step 7) and begin again.

6. When the cut is complete, the cut indicator will light:

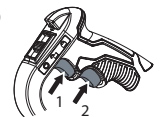
Green = Done Cutting
Red = Cut Failed



7. To reset, pull the trigger (1) to unlock.

Pull the release trigger (2) to reset the jaws.

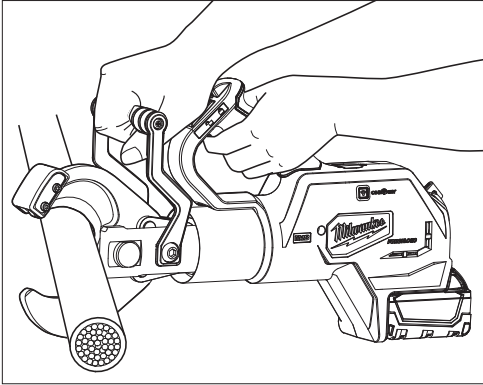
Turn OFF the remote cut switch (3).



Cutting without Remote

- Before cutting, ensure blades are properly installed.
- The tool can be set on the ground or hand held during use. To set the tool on the ground, rotate the cutting head 180° to use the front handle as a "foot". To hold by hand, grasp the tool firmly by both handles, as shown.
- Insert the workpiece squarely between the blades. Do not attempt to make angled cuts as it will damage the workpiece and blades.
- Ensure the remote cut switch is turned off.

WARNING To reduce the risk of explosion, electric shock and property damage, do not use on live electrical lines. Tool is NOT insulated. Contact with a live circuit could result in severe injury or death. Turn off power before making a cut. Never cut gas or water lines.



1. Grasp handle(s) firmly and pull and hold the trigger through the operation. When the cut is complete or the tool shuts off, release the trigger. A LED will light when the trigger is pulled. **NOTE:** Workpiece may move slightly during the cut.
2. When the cut is complete, pull the release trigger to open the blades.

WARNING To reduce the risk of injury, only cut recommended materials for the blades (see "Specifications"). Do not attempt to cut other materials.

Cutting Tips

- Cut farther in from the end of the material to avoid crooked cuts.
- Do not attempt angled cuts as it will damage the blades. Hold the material squarely between the blades.
- Cut clean material to extend the blade life. Wipe dirt and debris from material and blades before beginning the cut.
- Use the trigger lock to lock-off the trigger when the tool is not in use.

Jammed Blades

Dirt and debris can cause the blades to become jammed together after a cut. If the blades do not open when the release trigger is pulled:

1. Press and hold the release trigger to ensure the tool has reset.
2. Remove the battery pack.
3. While holding in the release trigger, use a rubber mallet to tap the blade retainer until the blades open.
4. Clean any dirt and debris from the blades before starting another cut.

ONE-KEY™

To learn more about the ONE-KEY functionality for this tool, please reference the Quick Start guide included with this product or go to milwaukeeertools.com.au/One-Key or milwaukeeertools.co.nz/One-Key.

To download the ONE-KEY app, visit the App Store or Google Play from your smart device.

MAINTENANCE

WARNING To reduce the risk of injury, always unplug the charger and remove the battery pack from the charger or tool before performing any maintenance. Never disassemble the tool, battery pack or charger. Contact a MILWAUKEE® service facility for ALL repairs.

Maintaining Tool

Keep your tool, battery pack and charger in good repair by adopting a regular maintenance program. Inspect your tool for issues such as undue noise, misalignment or binding of moving parts, breakage of parts, or any other condition that may affect the tool operation. Return the tool, battery pack, and charger to a MILWAUKEE® service facility for repair. After six months to one year, depending on use, return the tool, battery pack and charger to a MILWAUKEE® service facility for inspection.

If the tool does not start or operate at full power with a fully charged battery pack, clean the contacts on the battery pack. If the tool still does not work properly, return the tool, charger and battery pack, to a MILWAUKEE® service facility for repairs.

NOTE: Refer to your ONE-KEY App for additional service interval information.

Cutting Head and Blades

Inspect the cutting head and blades for cracks or damage. Do not use damaged cutting head or blades. Replace the blades when they become chipped or damaged.

Service Interval

Refer to the ONE-KEY App for information regarding necessary servicing, such as fluid replacement. Return the tool to a MILWAUKEE® service facility for all repairs and maintenance.

WARNING This device contains a lithium button/coin cell battery. A new or used battery can cause severe internal burns and lead to death in as little as 2 hours if swallowed or enters the body. Always secure the battery cover. If it does not close securely, stop using the device, remove the batteries, and keep it away from children. If you think batteries may have been swallowed or entered the body, seek immediate medical attention.



Internal Battery

An internal battery is used to facilitate full ONE-KEY™ functionality.

To replace the battery:

1. Remove the battery pack.
2. Remove the screw and open the battery door.
3. Remove the old battery.
4. Insert the new battery (3V CR2032), with the positive side facing up.
5. Close the battery door and tighten the screw securely.

⚠WARNING To reduce the risk of personal injury and damage, never immerse your tool, battery pack or charger in liquid or allow a liquid to flow inside them.

Cleaning

Clean dust and debris from vents. Keep handles clean, dry and free of oil or grease. Use only mild soap and a damp cloth to clean, since certain cleaning agents and solvents are harmful to plastics and other insulated parts. Some of these harmful agents include gasoline, turpentine, lacquer thinner, paint thinner, chlorinated cleaning solvents, ammonia and household detergents containing ammonia. Never use flammable or combustible solvents around tools.

Repairs

For repairs, return the tool, battery pack and charger to the nearest service center.

ACCESSORIES

⚠️ WARNING Use only recommended accessories. Others may be hazardous.

For a complete listing of accessories, go online to
www.milwaukeetools.com.au/
www.milwaukeetools.co.nz or contact a distributor.

WARRANTY - AUSTRALIA and NEW ZEALAND

Please refer to Australian and New Zealand warranty supplied with tool. This warranty applies only to product sold in Australia and New Zealand.

SERVICE - AUSTRALIA and NEW ZEALAND

MILWAUKEE® prides itself in producing a premium quality product that is Nothing But Heavy Duty®. Your satisfaction with our products is very important to us! If you encounter any problems with the operation of this tool, please contact your authorised MILWAUKEE® dealer.

For a list of MILWAUKEE® dealers, guarantee or service agents please contact MILWAUKEE® Customer Service or visit our website.
(Australia Toll Free Telephone Number 1300 645 928)
(New Zealand Toll Free Telephone Number 0800 279 624)
or visit www.milwaukeetools.com.au / www.milwaukeetools.co.nz.

Milwaukee Electric Tool Corporation

13135 West Lisbon Road, Brookfield, Wisconsin U.S.A. 53005

Milwaukee Tool (Australia)

21 Kelletts Road, Rowville, VIC 3178
Melbourne, Australia

Milwaukee Tool (New Zealand)

2 Landing Drive, Mangere
Auckland, 2022, New Zealand

Designed by Milwaukee Electric Tool Corp.

Professionally Made in China for Milwaukee Tool (Australia) / Milwaukee Tool (New Zealand)

Printed in China