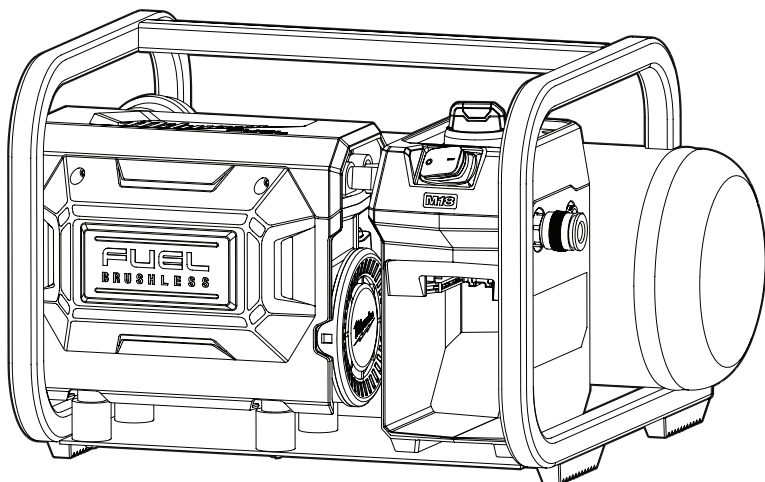




## OPERATOR'S MANUAL



Cat. No.  
**M18 FAC**

## **M18 FUEL™ AIR COMPRESSOR**



### **! WARNING**

To reduce the risk of injury, user must read and understand operator's manual.



## GENERAL POWER TOOL SAFETY WARNINGS

**WARNING** Read all safety warnings, instructions, illustrations and specifications provided with this power tool. Failure to follow all instructions listed below may result in electric shock, fire and/or serious injury. **Save all warnings and instructions for future reference.** The term "power tool" in the warnings refers to your mains-operated (corded) power tool or battery-operated (cordless) power tool.

### WORK AREA SAFETY

- **Keep work area clean and well lit.** Cluttered or dark areas invite accidents.
- **Do not operate power tools in explosive atmospheres, such as in the presence of flammable liquids, gases or dust.** Power tools create sparks which may ignite the dust or fumes.
- **Keep children and bystanders away while operating a power tool.** Distractions can cause you to lose control.

### ELECTRICAL SAFETY

- **Power tool plugs must match the outlet. Never modify the plug in any way. Do not use any adapter plugs with earthed (grounded) power tools.** Unmodified plugs and matching outlets will reduce risk of electric shock.
- **Avoid body contact with earthed or grounded surfaces, such as pipes, radiators, ranges and refrigerators.** There is an increased risk of electric shock if your body is earthed or grounded.
- **Do not expose power tools to rain or wet conditions.** Water entering a power tool will increase the risk of electric shock.
- **Do not abuse the cord. Never use the cord for carrying, pulling or unplugging the power tool. Keep cord away from heat, oil, sharp edges or moving parts.** Damaged or entangled cords increase the risk of electric shock.
- **When operating a power tool outdoors, use an extension cord suitable for outdoor use.** Use of a cord suitable for outdoor use reduces the risk of electric shock.
- **If operating a power tool in a damp location is unavoidable, use a residual current device (RCD) protected supply.** Use of a RCD reduces the risk of electric shock.

### PERSONAL SAFETY

- **Stay alert, watch what you are doing and use common sense when operating a power tool. Do not use a power tool while you are tired or under the influence of drugs, alcohol or medication.** A moment of inattention while operating power tools may result in serious personal injury.
- **Use personal protective equipment. Always wear eye protection.** Protective equipment such as a dust mask, non-skid safety shoes, hard hat or hearing protection used for appropriate conditions will reduce personal injuries.
- **Prevent unintentional starting. Ensure the switch is in the off-position before connecting to power source and/or battery, picking up or carrying the tool.** Carrying power tools with your finger on the switch or energising power tools that have the switch on invites accidents.

- **Remove any adjusting key or wrench before turning the power tool on.** A wrench or a key left attached to a rotating part of the power tool may result in personal injury.
- **Do not overreach. Keep proper footing and balance at all times.** This enables better control of the power tool in unexpected situations.
- **Dress properly. Do not wear loose clothing or jewellery. Keep your hair and clothing away from moving parts.** Loose clothes, jewellery or long hair can be caught in moving parts.
- **If devices are provided for the connection of dust extraction and collection facilities, ensure these are connected and properly used.** Use of dust collection can reduce dust-related hazards.
- **Do not let familiarity gained from frequent use of tools allow you to become complacent and ignore tool safety principles.** A careless action can cause severe injury within a fraction of a second.

### POWER TOOL USE AND CARE

- **Do not force the power tool. Use the correct power tool for your application.** The correct power tool will do the job better and safer at the rate for which it was designed.
- **Do not use the power tool if the switch does not turn it on and off.** Any power tool that cannot be controlled with the switch is dangerous and must be repaired.
- **Disconnect the plug from the power source and/or remove the battery, if detachable, from the power tool before making any adjustments, changing accessories, or storing power tools.** Such preventive safety measures reduce the risk of starting the power tool accidentally.
- **Store idle power tools out of the reach of children and do not allow persons unfamiliar with the power tool or these instructions to operate the power tool.** Power tools are dangerous in the hands of untrained users.
- **Maintain power tools and accessories. Check for misalignment or binding of moving parts, breakage of parts and any other condition that may affect the power tool's operation. If damaged, have the power tool repaired before use.** Many accidents are caused by poorly maintained power tools.
- **Keep cutting tools sharp and clean.** Properly maintained cutting tools with sharp cutting edges are less likely to bind and are easier to control.
- **Use the power tool, accessories and tool bits etc. in accordance with these instructions, taking into account the working conditions and the work to be performed.** Use of the power tool for operations different from those intended could result in a hazardous situation.
- **Keep handles and grasping surfaces dry, clean and free from oil and grease.** Slippery handles and grasping surfaces do not allow for safe handling and control of the tool in unexpected situations.

### BATTERY TOOL USE AND CARE

- **Recharge only with the charger specified by the manufacturer.** A charger that is suitable for one type of battery may create a risk of fire when used with another battery.
- **Use power tools only with specifically designated battery.** Use of any other battery may create a risk of injury and fire.

- When battery is not in use, keep it away from other metal objects, like paper clips, coins, keys, nails, screws or other small metal objects, that can make a connection from one terminal to another. Shorting the battery terminals together may cause burns or a fire.
- Under abusive conditions, liquid may be ejected from the battery; avoid contact. If contact accidentally occurs, flush with water. If liquid contacts eyes, additionally seek medical help. Liquid ejected from the battery may cause irritation or burns.
- Do not use a battery or tool that is damaged or modified. Damaged or modified batteries may exhibit unpredictable behaviour resulting in fire, explosion or risk of injury.
- Do not expose a battery or tool to fire or excessive temperature. Exposure to fire or temperature above 130°C (265°F) may cause explosion.
- Follow all charging instructions and do not charge the battery or tool outside the temperature range specified in the instructions. Charging improperly or at temperatures outside the specified range may damage the battery and increase the risk of fire.

### SERVICE

- Have your power tool serviced by a qualified repair person using only identical replacement parts. This will ensure that the safety of the power tool is maintained.
- Never service damaged battery. Service of battery should only be performed by the manufacturer or authorised service providers.

### SPECIFIC SAFETY RULES FOR AIR COMPRESSOR

**AWARNING** Risk of Fire or Explosion. Do not spray flammable liquid in a confined area. Spray area must be well ventilated. Do not smoke while spraying or spray where spark or flame is present. Keep compressors as far from spraying area as possible.

**AWARNING** Risk of injury. Do not direct air stream at body.

**AWARNING** Use a minimum of 7.5 m (25 ft) of hose when connecting a spray gun to the compressor.

**CAUTION** Do not expose to rain. Store indoors.

**CAUTION** Risk of Bursting. Do not adjust regulator to result in output pressure greater than marked maximum pressure of attachment. Do not use at pressure greater than 135 psi.

- Know your air compressor. Read operator's manual carefully. Learn its applications and limitations, as well as the specific potential hazards related to this product. Do not alter or modify the unit from the original design or function. Misuse and improper handling can cause injury.
- Always follow all safety rules recommended by the manufacturer of air tools and accessories.
- Never direct a jet of compressed air toward yourself, others, or animals. Dust and debris can cause eye and lung injuries.
- Do not use compressed air for breathing assistance.
- Always wear proper eye protection marked to comply with AS/NZS 1337.1.
- Do not exceed the pressure rating of any component in the system.
- When used for inflating, do not overinflate. Follow all manufacturer's instructions for the item being inflated.
- Check air hose and couplers for wear or damage before each use. Ensure connections are secure. Do not use if air leaks. Keep hose away from sharp objects, chemical spills, oil, solvents, and wet floors. Do not pull or carry the air compressor by the hose. Replace or repair all damaged parts before use.
- Make sure the hose is free of obstructions or snags. Entangled or snarled hoses can cause loss of balance or footing and may become damaged.
- Never attempt to block or plug the air outlet during operation.
- Never leave the air compressor unattended with the air hose attached.
- Before making adjustments, servicing, transporting, or storing: always turn OFF the air compressor, remove the battery pack, release all pressure, disconnect air hose and air tools, allow unit to cool to the touch, and drain the tank.
- Never adjust, service, transport, or store an air tool with air connected. Unexpected starting and possible serious personal injury could occur.
- Air powered tools may require more air consumption than this air compressor is capable of providing. Check the tool manual to avoid damage to the tool or risk of personal injury.

**AWARNING** To reduce the risk of injury, when working in dusty situations, wear appropriate respiratory protection or use a dust extraction solution.

- Avoid using in an environment that is dusty or otherwise contaminated. Using the air compressor in this type of environment may cause damage to the unit.

**AWARNING** Air tanks are under high pressure. Keep face and other body parts away from outlet when relieving pressure or draining the tank.







- Follow proper procedures for relieving pressure and draining the tank. Release all pressures within the system slowly.
- Drain tanks of moisture after each day's use. When storing, leave drain valve open to allow moisture to completely drain out and help prevent corrosion on the inside of tank.
- Inspect tank yearly for rust, pin holes, or other imperfections that could cause it to become unsafe. Never weld or drill holes in the air tank.
- Always use common sense and be cautious when using tools. It is not possible to anticipate every situation that could result in a dangerous outcome. Do not use this tool if you do not understand these operating instructions or you feel the work is beyond your capability; contact MILWAUKEE® Tool or a trained professional for additional information or training.
- Maintain labels and nameplates. These carry important information. If unreadable or missing, contact a MILWAUKEE® service facility for a replacement.

**WARNING** Some dust created by power sanding, sawing, grinding, drilling, and other construction activities contains chemicals known to cause cancer, birth defects or other reproductive harm. Some examples of these chemicals are:

- lead from lead-based paint
- crystalline silica from bricks and cement and other masonry products, and
- arsenic and chromium from chemically-treated lumber.

Your risk from these exposures varies, depending on how often you do this type of work. To reduce your exposure to these chemicals: work in a well ventilated area, and work with approved safety equipment, such as those dust masks that are specially designed to filter out microscopic particles.

## SYMBOLGY

-  Volts
-  Direct Current
-  Read Operator's Manual
-  Wear Eye Protection
-  Hot Surface - To reduce the risk of burns, do not touch
-  Risk of Bursting
-  Do not expose to rain
-  Risk of Fire or Explosion
-  Tank pressure
-  Outlet pressure
-  Do not dispose of electric tools together with household waste material. Electric tools and electronic equipment that have reached the end of their life must be collected separately and returned to an environmentally compatible recycling facility.
-  Regulatory Compliance Mark (RCM). This product meets applicable regulatory requirements.

## SPECIFICATIONS

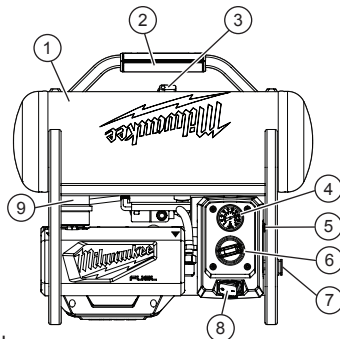
Cat. No.....	M18 FAC
Volts.....	18V DC
Battery Type.....	M18™
Charger Type.....	M18™
Recommended Ambient Operating Temperature.....	-17°C to 51°C
Air Tank Capacity.....	7.6 L
Air Pressure.....	135 psi max.
Air Delivery .....	40 psi @ 48.14 l/min 90 psi @ 34 l/min
Noise level.....	68 dB(A)
Quick connect type.....	1/4"

## ADDITIONAL BATTERY SAFETY RULES

**WARNING** To reduce the risk of fire, personal injury, and product damage due to a short circuit, never immerse your tool, battery pack or charger in fluid or allow a fluid to flow inside them. Corrosive or conductive fluids, such as seawater, certain industrial chemicals, and bleach or bleach-containing products, etc., can cause a short circuit.

**WARNING** Do not charge non-rechargeable batteries.

## FUNCTIONAL DESCRIPTION



1. Tank
2. Carry handle
3. Drain valve
4. Tank pressure gauge
5. Release valve
6. Regulator knob
7. Quick-connect coupler
8. Auto On/Off Switch
9. Intake filter

## ASSEMBLY

**WARNING** Recharge only with the charger specified for the battery. For specific charging instructions, read the operator's manual supplied with your charger and battery.

### Removing/Inserting the Battery

To **remove** the battery, push in the release buttons and pull the battery away from the tool.

**WARNING** Always remove battery before changing or removing accessories.

To **insert** the battery, slide the pack into the body of the tool. Make sure it latches securely into place.

**WARNING** Only use accessories specifically recommended for this tool. Others may be hazardous.

### Installing the Intake Filter

**WARNING** The intake filter must be installed for optimal performance.

1. Turn off the air compressor and remove the battery pack.
2. Remove the clear plastic muffler tube from the intake filter cap.
3. Unscrew the intake filter cap.
4. Insert the intake filter until it is fully seated.
5. Reinstall the intake filter cap and muffler tube.

## Releasing Tank Pressure

**⚠WARNING** Air tanks are under high pressure. Keep face and other body parts away from outlet when relieving pressure. Always wear proper eye protection marked to comply with AS/NZS 1337.1.

1. Turn off the air compressor and remove the battery pack.
2. Pull the ring on the release valve to release air until tank pressure gauge reads less than 20 psi.
3. Release the ring.

## Connecting an Air Hose (Hose Not Provided)

**⚠WARNING** Never exceed the air hose or air tool's pressure rating as recommended by the manufacturer. When using this air compressor as an inflation device, always follow the maximum inflation guidelines stated by the manufacturer of the item being inflated.

1. Turn off the air compressor and remove the battery pack.
2. Rotate pressure regulator knob fully in the counterclockwise direction so that the outlet pressure is at zero (0) psi.

**⚠WARNING** Just because the air compressor is not running does not mean there is no pressure in the tank.

3. Attach a properly rated air hose with quick connect air fitting to 1/4" quick coupler on the air compressor. Push the hose adaptor onto the coupler until the sleeve springs forward to lock it in place.

## Disconnecting an Air Hose or Air Tool

**⚠WARNING** Always turn OFF (O) the air compressor and ensure the regulator pressure gauge reads zero before changing air tools or disconnecting the hose from the air outlet. Failure to do so could result in possible serious personal injury.

1. Turn off the air compressor and remove the battery pack. Confirm that the outlet pressure is at zero (0) psi.

**⚠WARNING** Just because the air compressor is not running does not mean there is no pressure in the tank.

2. To remove the air hose from the air compressor, grasp the release end of the hose securely and pull back on the release sleeve on the 1/4" quick coupler on the air compressor. Pull the hose fitting away from the coupler.
3. To remove an air tool from the air hose, do so according to the manufacturer's instructions.

## APPLICATIONS

Air compressors are utilised in a variety of air system applications. Match hoses, connectors, air tools, and accessories to the capabilities of the air compressor. You may use this product for purposes listed below:

- Operating light-to-medium duty air-powered tools
- Operating air accessories such as air nozzles and automotive tyre chucks

## OPERATION

**⚠WARNING** To reduce the risk of injury, always wear proper eye protection marked to comply with AS/NZS 1337.1.

When working in dusty situations, wear appropriate respiratory protection or use a dust extraction solution.

### Turning the Air Compressor On/Off

1. Connect the hose and accessories to the air compressor.
2. Install the battery pack.
3. To start the compressor, move the Auto On/Off switch to the **AUTO ON** (I) position. When in the **AUTO ON** (I) position, the air compressor will automatically turn back on when the designated tank air pressure drops below the preset pressure limit. It will also shut off again when the cut-off pressure is reached.
4. To turn the air compressor off, move the Auto On/Off switch to the **OFF** (O) position. Release pressure from the tank before making adjustments, servicing, transporting, or storing.

### Using the Air Compressor

**⚠WARNING** Risk of Bursting. Do not adjust regulator to result in output pressure greater than marked maximum pressure of attachment. Do not use at pressure greater than 135 psi.

**Air powered tools may require more air consumption than this air compressor is capable of providing. Check the tool manual to avoid damage to the tool or risk of personal injury.**

1. Run the daily check of the release valve (see "Checking the Release Valve").
2. Turn off the air compressor and remove the battery pack.
3. Attach a properly rated air hose to the air compressor (see "Connecting an Air Hose").
4. Use the correct fittings to connect the air tool or accessory to the hose.
5. Install the battery pack.
6. Move the Auto On/Off switch to the **AUTO ON** (I) position.
7. Set the air pressure using regulator knob. Turn the knob clockwise to increase or counterclockwise to decrease the air pressure.
8. Following all safety precautions in this manual and the manufacturer's instructions in the air tool manual, begin using the air tool or accessory.

**NOTE:** The air compressor will shut off during an electrical overload. To reset the internal overload switch, turn off the air compressor and allow the unit to cool. Remove and then reinstall the battery before resuming operation.

9. When finished, move the Auto On/Off switch to the **OFF** (O) position, remove the battery, release all pressure, disconnect air hose and air tools, allow unit to cool to the touch, and drain the tank. Never leave the unit on and/or running unattended.



## Draining the Tank

**⚠WARNING** Air tanks are under high pressure. Keep face and other body parts away from outlet when relieving pressure. Always wear proper eye protection marked to comply with AS/NZS 1337.1.

To help prevent tank corrosion and keep moisture out of the air used, the air tank of the compressor should be drained daily.

### To drain:

1. Turn off the air compressor and remove the battery pack.
2. Pull the ring on the release valve to release air until tank pressure gauge reads less than 20 psi.
3. Release the ring.
4. Turn the drain valve 90° counterclockwise to the **ON** (open) position.
5. Tilt tank to drain moisture from tank into a suitable container. **NOTE:** Condensate is a polluting material and should be disposed of in compliance with local regulations.
6. If a drain valve is clogged, release all air pressure, remove and clean valve, then reinstall.
7. When storing, leave drain valve open to allow moisture to completely drain out and help prevent corrosion on the inside of tank.
8. Turn the drain valve 90° clockwise to the **OFF** (closed) position.

## Checking the Release Valve

**⚠DANGER** Do not tamper with the release valve. The release valve will automatically release air if the air tank pressure exceeds the cut-out pressure. The release valve must work properly when operating the air compressor. If the release valve is stuck open, or does not open when the ring is pulled, do not use the product and contact a **MILWAUKEE®** service facility for repairs.

The release valve should be checked before each day of use by pulling the ring by hand.

1. Install the battery pack.
2. Turn the air compressor to **AUTO ON** (I) and allow the tank to fill. The compressor will shut off when the pressure reaches the cut-out pressure.
3. Turn the air compressor **OFF** (O).
4. Pull the ring on the release valve to release air pressure for three to five seconds. Release the ring. The release valve must reset and hold pressure before all compressed air is exhausted from the tank/pressure vessel.
5. If air continues to escape once the release valve is closed, contact a **MILWAUKEE®** service facility for repairs.

## MAINTENANCE

**⚠WARNING** To reduce the risk of injury, always unplug the charger and remove the battery from the charger or tool before performing any maintenance. Never disassemble the tool, battery or charger. Contact a **MILWAUKEE®** service facility for **ALL** repairs.

Always turn **OFF** (O) the air compressor, remove the battery pack, release all pressure, disconnect air hose and air tools, allow unit to cool to the touch, and drain the tank before cleaning or making repairs on the air compressor.

## Maintaining Tool

Keep your tool, battery and charger in good repair by adopting a regular maintenance program. Inspect your tool for issues such as undue noise, misalignment or binding of moving parts, breakage of parts, or any other condition that may affect the tool operation. Return the tool, battery, and charger to a **MILWAUKEE®** service facility for repair. After six months to one year, depending on use, return the tool, battery and charger to a **MILWAUKEE®** service facility for inspection.

If the tool does not start or operate at full power with a fully charged battery, clean the contacts on the battery. If the tool still does not work properly, return the tool, charger and battery, to a **MILWAUKEE®** service facility for repairs.

**⚠WARNING** To reduce the risk of personal injury and damage, never immerse your tool, battery or charger in liquid or allow a liquid to flow inside them.

## Cleaning

Clean dust and debris from vents. Keep handles clean, dry and free of oil or grease. Use only mild soap and a damp cloth to clean, since certain cleaning agents and solvents are harmful to plastics and other insulated parts. Some of these include gasoline, turpentine, lacquer thinner, paint thinner, chlorinated cleaning solvents, ammonia and household detergents containing ammonia. Never use flammable or combustible solvents around tools.

## Storage

Always turn **OFF** the air compressor, remove the battery pack, release all pressure, disconnect air hose and air tools, allow unit to cool to the touch, and drain the tank before storing. Leave drain valve open to allow moisture to completely drain out and help prevent corrosion on the inside of tank.

## Repairs

For repairs, return the tool, battery and charger to the nearest authorised service centre.

## ACCESSORIES

**⚠WARNING** Use only recommended accessories. Others may be hazardous.

For a complete listing of accessories, go online to [www.milwaukeetool.com.au/](http://www.milwaukeetool.com.au/) or contact a distributor.

## **WARRANTY - AUSTRALIA and NEW ZEALAND**

Please refer to Australian and New Zealand warranty supplied with tool. This warranty applies only to product sold in Australia and New Zealand.

## **SERVICE - AUSTRALIA and NEW ZEALAND**

**MILWAUKEE®** prides itself in producing a premium quality product that is Nothing But Heavy Duty™. Your satisfaction with our products is very important to us! If you encounter any problems with the operation of this tool, please contact your authorised **MILWAUKEE®** dealer.

For a list of **MILWAUKEE®** dealers, guarantee or service agents please contact **MILWAUKEE®** Customer Service or visit our website.

(Australia Toll Free Telephone Number 1300 645 928)

(New Zealand Toll Free Telephone Number 0800 645 928)

or visit [milwaukeetool.com.au/milwaukeetool.co.nz](http://milwaukeetool.com.au/milwaukeetool.co.nz).

### **Milwaukee Electric Tool Corporation**

13135 West Lisbon Road, Brookfield, Wisconsin U.S.A. 53005

#### **Milwaukee Tool (Australia)**

21 Kelletts Road, Rowville, VIC 3178  
Melbourne, Australia

#### **Milwaukee Tool (New Zealand)**

274 Church Street, Penrose,  
Auckland, 1061, New Zealand

DESIGNED BY MILWAUKEE ELECTRIC TOOL CORP.

PROFESSIONALLY MADE IN MEXICO

PRINTED IN MEXICO

All trade marks are owned by Techtronic Cordless GP unless otherwise stated.

© 2020 Milwaukee Electric Tool Corporation.