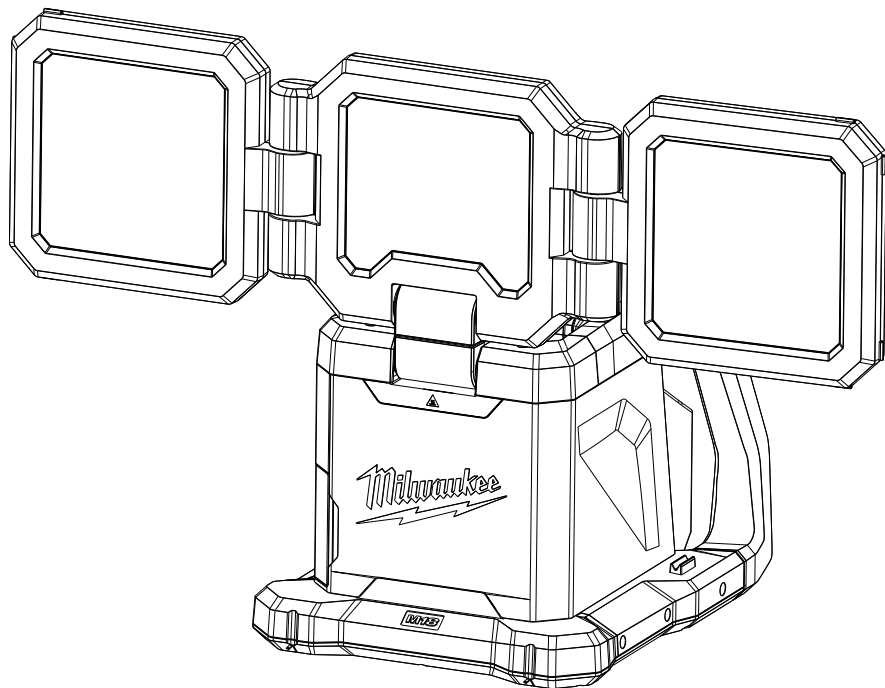





OPERATOR'S MANUAL



Cat. No.
M18 TPFL

M18™ THREE-PANEL FLOOD LIGHT

 **WARNING**

 To reduce the risk of injury, user must read and understand operator's manual.

IMPORTANT SAFETY INSTRUCTIONS

⚠WARNING **READ AND UNDERSTAND ALL INSTRUCTIONS.** Failure to follow all instructions listed below, may result in electric shock, fire and/or serious personal injury.

SAVE THESE INSTRUCTIONS

- Before using, read this operator's manual, your battery pack and charger operator's manual, and all labels on the battery pack, charger and light. Learn your light's applications and limitations as well as potential hazards associated with this type of tool.
- Read and understand all the instructions before using the light.
- Prevent unintentional starting. Ensure the switch is in the off-position before connecting to battery pack, picking up or carrying the light. Carrying the light with your finger on the switch or energising appliance that have the switch on invites accidents.
- Disconnect the battery pack from the light before making any adjustments, changing accessories, or storing light. Such preventive safety measures reduce the risk of starting the light accidentally.
- Recharge only with the charger specified by the manufacturer. A charger that is suitable for one type of battery pack may create a risk of fire when used with another battery pack.
- Use light only with specifically designated battery packs. Use of any other battery packs may create a risk of injury and fire.
- When battery pack is not in use, keep it away from other metal objects, like paper clips, coins, keys, nails, screws or other small metal objects, that can make a connection from one terminal to another. Shorting the battery terminals together may cause burns or a fire.
- Under abusive conditions, liquid may be ejected from the battery; avoid contact. If contact accidentally occurs, flush with water. If liquid contacts eyes, additionally seek medical help. Liquid ejected from the battery may cause irritation or burns.
- Do not use a battery pack or light that is damaged or modified. Damaged or modified batteries may exhibit unpredictable behaviour resulting in fire, explosion or risk of injury.
- Do not expose a battery pack or appliance to fire or excessive temperature. Exposure to fire or temperature above 130°C may cause explosion.
- Follow all charging instructions and do not charge the battery pack or light outside of the temperature range specified in the instructions. Charging improperly or at temperatures outside of the specified range may damage the battery and increase the risk of fire.
- Clean the surface before attaching the magnetic stand to the work surface. Paint, rust, scale, or uneven surfaces decrease the holding strength of the magnet. Chips, burrs, dirt and other foreign matter on the surface of the magnet base will also decrease holding power.

- Do not attach magnetic base to non-magnetic grades of stainless steel. The magnet base will not hold.
- Have servicing performed by a qualified repair person using only identical replacement parts. This will ensure that the safety of the product is maintained.
- Do not modify or attempt to repair the light or the battery pack (as applicable) except as indicated in the instructions for use and care.
- To reduce the risk of injury, close supervision is necessary when an appliance is used near children.
- Store idle light out of reach of children. Warm lights can become hazardous in the hands of children.
- Remove light from underbody before operating a vehicle. A light left attached to the underbody may break free which could result in personal injury.
- Store indoors. Do not expose to rain.
- Always use common sense and be cautious when using tools. It is not possible to anticipate every situation that could result in a dangerous outcome. Do not use this tool if you do not understand these operating instructions or you feel the work is beyond your capability; contact MILWAUKEE® Tool or a trained professional for additional information or training.
- Maintain labels and nameplates. These carry important information. If unreadable or missing, contact a MILWAUKEE® service facility for a replacement.

SPECIFIC SAFETY RULES FOR LIGHTS

- ⚠WARNING** To reduce the risk of injury, do not look directly into the light when the flood light is on.
- Make sure that the object the light will be mounted on is free from dirt, oils, or other debris that may prevent the light from attaching securely.
 - Make sure that all magnets make contact with the magnetic surface.
 - Make sure that the magnetic surface is free from materials that could prevent the magnets from attaching.

READ AND SAVE ALL INSTRUCTIONS FOR FUTURE USE

ADDITIONAL BATTERY SAFETY RULES

- ⚠WARNING** To reduce the risk of fire, personal injury, and product damage due to a short circuit, never immerse your tool, battery pack or charger in fluid or allow a fluid to flow inside them. Corrosive or conductive fluids, such as seawater, certain industrial chemicals, and bleach or bleach-containing products, etc., can cause a short circuit.

- ⚠WARNING** Do not charge non-rechargeable batteries.

EXTENSION CORDS

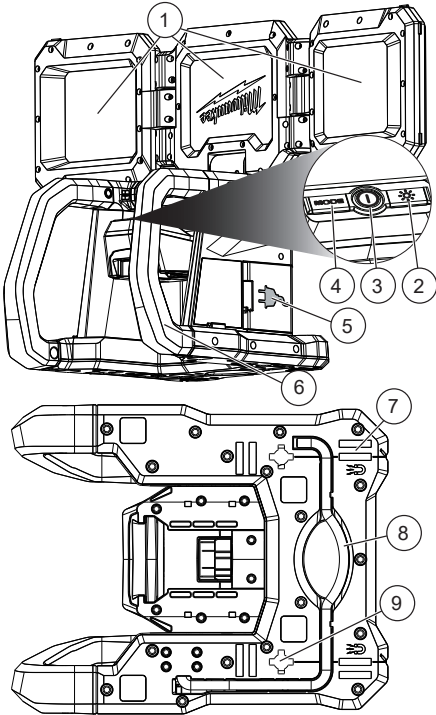
Guidelines for Using Extension Cords

- If you are using an extension cord outdoors, be sure it is acceptable for outdoor use.
- Be sure your extension cord is properly wired and in good electrical condition. Always replace a damaged extension cord or have it repaired by a qualified person before using it.
- Protect your extension cords from sharp objects, excessive heat and damp or wet areas.
- When stringing lights together, consider the total Amperes draw when selecting the extension cords.

SPECIFICATIONS

Cat. No.	M18 TPFL
Battery Type	M18™
Charger Type.....	M18™
AC Input Volts.....	230-240 V
AC Input Amps	0.2 A
DC Input Volts	18 V
DC Input Amps	2 A
Lumen Output Range	400 - 4,500 lm
Recommended Ambient Operating Temperature	-17°C to 40°C

FUNCTIONAL DESCRIPTION



- | | |
|----------------------|----------------|
| 1. LED panels | 6. Handles (2) |
| 2. Brightness button | 7. Magnets |
| 3. Power button | 8. Rafter hook |
| 4. Mode button | 9. Hang holes |
| 5. AC power door | |

SYMBOLGY

- | | |
|--|---|
| | Volts |
| | Direct Current |
| | Alternating Current |
| | Watts |
| | Hertz |
| | Safety Alert Symbol |
| | ▲WARNING Risk of Electric Shock |
| | ▲WARNING Do not stare at the operating light source |
| | ▲WARNING Surface is hot. Avoid contact. |
| | Read Operator's Manual |
| | Magnets |
| | DC Power |
| | AC Power |
| | The product is only suitable for indoor use. |
| | Double Insulated |
| | Regulatory Compliance Mark (RCM). This product meets applicable regulatory requirements. |
| | Do not dispose of electric tools together with household waste material. Electric tools and electronic equipment that have reached the end of their life must be collected separately and returned to an environmentally compatible recycling facility. |

ASSEMBLY

⚠WARNING Recharge only with the charger specified for the battery. For specific charging instructions, read the operator's manual supplied with your charger and battery.

Inserting/Removing the Battery

To **insert** the battery, slide the pack into the body of the machine. Make sure it latches securely into place.

To **remove** the battery, release the battery compartment latch, lift the battery latch, and pull the battery pack away from the machine.

Operating the Light On AC/DC Power

Insert a battery pack to run on DC power. Plug an extension cord into the AC outlet to run on AC power. If both battery and extension cord are inserted, AC power will be used, with DC power as a backup.

NOTE: This tool does not charge battery packs.

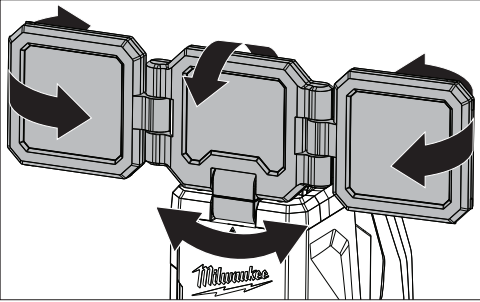
OPERATION

⚠WARNING Recharge only with the charger specified for the battery. For specific charging instructions, read the operator's manual supplied with your charger and battery.

Adjusting the LED Panels

This tool has three different LED panels that can be adjusted. Adjust the tool before powering on.

- The two outer panels can hinge in the left or right directions.
- The middle hinge controls the up and down motion, and horizontal or vertical positions.



Turning the Light On/Off

- To turn **on** the light, press the power button once.
- To turn **off** the light, press the power button again.

NOTE: Ensure the light is turned off before storing.

Mode and Brightness Buttons

This light has a mode button and brightness button. The mode button switches between 3 modes:

- 1 - Middle panel on
- 2 - Outer 2 panels on
- 3 - All 3 panels on

The brightness button switches between High, Medium and Low for the currently selected mode.

NOTE: Light defaults to all 3 panels on HIGH after 10 seconds when both power sources have been removed from the light.

Mounting Options

⚠WARNING Ensure the hanging surface is sturdy and the rafter hook is secure before using. A falling light could strike people or objects below.

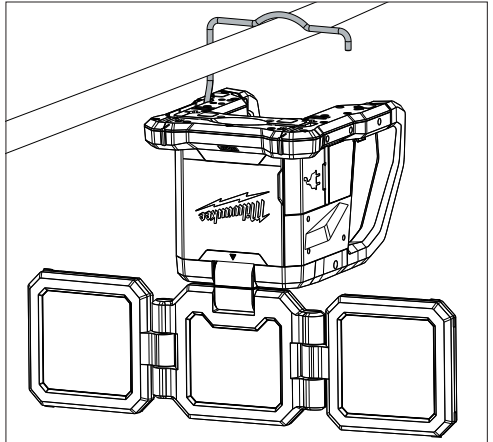
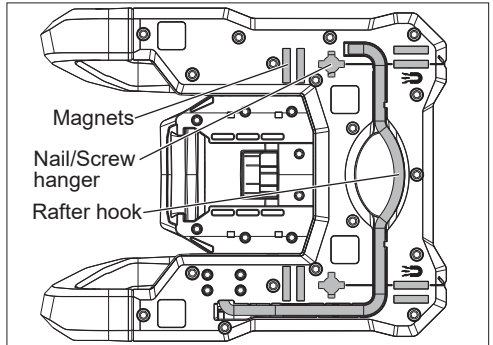
To reduce the risk of injury or damage to the tool, ensure the nail can support the weight of the tool.

To reduce the risk of injury or damage to the tool, ensure that all magnets make contact with magnetic surface.

Ensure the magnetic surface is clear from dirt and debris that could prevent the magnets from attaching.

The light can be mounted several ways:

- Using the rafter hook.
- Using the nail/screw hanger with groove located on the back of the light.
- Using the magnets to attach to a metal surface. The magnets are designed to attach to a uncoated ferrous surface that is at least 1.5 mm (16 GA) thick.



MAINTENANCE

WARNING To reduce the risk of injury, always unplug the charger and remove the battery pack from the charger or tool before performing any maintenance. Never disassemble the battery pack, charger, or tool, except as provided in these instructions. Contact a MILWAUKEE® service facility for ALL repairs.

The light source of this luminaire is not replaceable; when the light source reaches its end of life the whole luminaire shall be replaced.

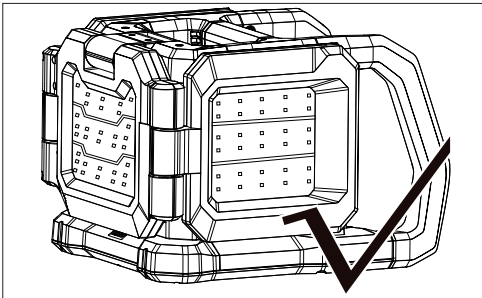
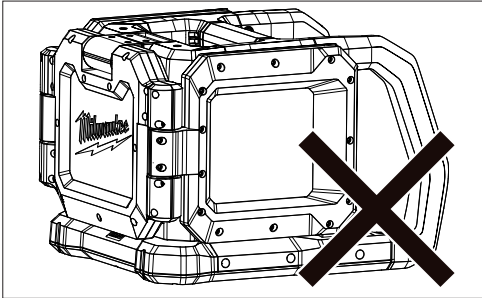
Maintaining Tool

Keep the tool, battery pack and charger in good repair by adopting a regular maintenance program. Inspect the tool for issues such as undue noise, misalignment or binding of moving parts, breakage of parts, or any other condition that may affect the tool operation. Return the tool, battery pack, and charger to a MILWAUKEE® service facility for repair. After six months to one year, depending on use, return the tool, battery pack and charger to a MILWAUKEE® service facility for inspection.

If the tool does not start or operate at full power with a fully charged battery pack, clean the contacts on the battery pack. If the tool still does not work properly, return the tool, charger and battery pack, to a MILWAUKEE® service facility for repairs.

WARNING To reduce the risk of personal injury, electric shock and damage, never immerse your machine in liquid or allow a liquid to flow inside it.

NOTICE To reduce the risk of overheating, do not direct LED panels onto the tool housing. Do not use the tool in the orientation below. Always remove battery pack and/or extension cord when tool is not in use.



Cleaning

Clean dust and debris from vents. Keep handles clean, dry and free of oil or grease. Use only mild soap and a damp cloth to clean, since certain cleaning agents and solvents are harmful to plastics and other insulated parts. Some of these include petrol, turpentine, lacquer thinner, paint thinner, chlorinated cleaning solvents, ammonia and household detergents containing ammonia. Never use flammable or combustible solvents around tools.

Repairs

For repairs, return the tool, battery pack and charger to the nearest authorised service centre.

ACCESSORIES

WARNING Use only recommended accessories. Others may be hazardous.

For a complete listing of accessories, go online to milwaukeeetool.com.au / milwaukeeetool.co.nz or contact an authorised distributor.

WARRANTY - AUSTRALIA and NEW ZEALAND

Please refer to Australian and New Zealand warranty supplied with tool. This warranty applies only to product sold by authorised dealers in Australia and New Zealand.

SERVICE - AUSTRALIA and NEW ZEALAND

MILWAUKEE® prides itself in producing a premium quality product that is Nothing But Heavy Duty™. Your satisfaction with our products is very important to us! If you encounter any problems with the operation of this tool, please contact your authorised **MILWAUKEE®** dealer.

For a list of **MILWAUKEE®** dealers, guarantee or service agents please contact **MILWAUKEE®** Customer Service or visit our website.

(Australia Toll Free Telephone Number 1300 645 928)

(New Zealand Toll Free Telephone Number 0800 645 928)

or visit milwaukeetool.com.au/milwaukeetool.co.nz.

Milwaukee Electric Tool Corporation

13135 West Lisbon Road, Brookfield, Wisconsin U.S.A. 53005

Milwaukee Tool (Australia)

26 - 40 Nina Link, Dandenong South,
Victoria, 3175, Australia

Milwaukee Tool (New Zealand)

274 Church Street, Penrose,
Auckland, 1061, New Zealand

DESIGNED BY MILWAUKEE ELECTRIC TOOL CORP.
PROFESSIONALLY MADE IN CHINA
PRINTED IN CHINA