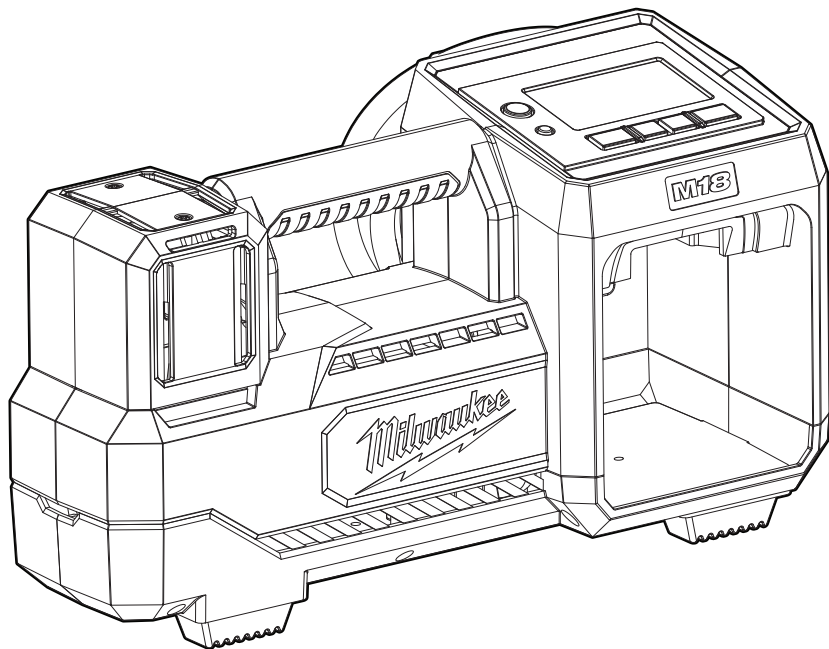




OPERATOR'S MANUAL



Cat. No.
M18 BI

M18™ INFLATOR



WARNING



To reduce the risk of injury, user must read and understand operator's manual.

GENERAL POWER TOOL SAFETY WARNINGS

⚠WARNING Read all safety warnings, instructions, illustrations and specifications provided with this power tool. Failure to follow all instructions listed below may result in electric shock, fire and/or serious injury. **Save all warnings and instructions for future reference.** The term "power tool" in the warnings refers to your mains-operated (corded) power tool or battery-operated (cordless) power tool.

- This appliance is not intended for use by persons (including children) with reduced physical, sensory or mental capabilities, or lack of experience and knowledge, unless they have been given supervision or instruction concerning use of the appliance by a person responsible for their safety.
- Children should be supervised to ensure that they do not play with the appliance.

WORK AREA SAFETY

- Keep work area clean and well lit. Cluttered or dark areas invite accidents.
- Do not operate power tools in explosive atmospheres, such as in the presence of flammable liquids, gases or dust. Power tools create sparks which may ignite the dust or fumes.
- Keep children and bystanders away while operating a power tool. Distractions can cause you to lose control.

ELECTRICAL SAFETY

- Power tool plugs must match the outlet. Never modify the plug in any way. Do not use any adapter plugs with earthed (grounded) power tools. Unmodified plugs and matching outlets will reduce risk of electric shock.
- Avoid body contact with earthed or grounded surfaces, such as pipes, radiators, ranges and refrigerators. There is an increased risk of electric shock if your body is earthed or grounded.
- Do not expose power tools to rain or wet conditions. Water entering a power tool will increase the risk of electric shock.
- Do not abuse the cord. Never use the cord for carrying, pulling or unplugging the power tool. Keep cord away from heat, oil, sharp edges or moving parts. Damaged or entangled cords increase the risk of electric shock.
- When operating a power tool outdoors, use an extension cord suitable for outdoor use. Use of a cord suitable for outdoor use reduces the risk of electric shock.
- If operating a power tool in a damp location is unavoidable, use a residual current device (RCD). Use of a RCD reduces the risk of electric shock.

PERSONAL SAFETY

- Stay alert, watch what you are doing and use common sense when operating a power tool. Do not use a power tool while you are tired or under the influence of drugs, alcohol or medication. A moment of inattention while operating power tools may result in serious personal injury.
- Use personal protective equipment. Always wear eye protection. Protective equipment such as a dust mask, non-skid safety shoes, hard hat or

hearing protection used for appropriate conditions will reduce personal injuries.

- Prevent unintentional starting. Ensure the switch is in the off-position before connecting to power source and/or battery pack, picking up or carrying the tool. Carrying power tools with your finger on the switch or energising power tools that have the switch on invites accidents.
- Remove any adjusting key or wrench before turning the power tool on. A wrench or a key left attached to a rotating part of the power tool may result in personal injury.
- Do not overreach. Keep proper footing and balance at all times. This enables better control of the power tool in unexpected situations.
- Dress properly. Do not wear loose clothing or jewellery. Keep your hair and clothing away from moving parts. Loose clothes, jewellery or long hair can be caught in moving parts.
- If devices are provided for the connection of dust extraction and collection facilities, ensure these are connected and properly used. Use of dust collection can reduce dust-related hazards.
- Do not let familiarity gained from frequent use of tools allow you to become complacent and ignore tool safety principles. A careless action can cause severe injury within a fraction of a second.

POWER TOOL USE AND CARE

- Do not force the power tool. Use the correct power tool for your application. The correct power tool will do the job better and safer at the rate for which it was designed.
- Do not use the power tool if the switch does not turn it on and off. Any power tool that cannot be controlled with the switch is dangerous and must be repaired.
- Disconnect the plug from the power source and/or remove the battery pack, if detachable, from the power tool before making any adjustments, changing accessories, or storing power tools. Such preventive safety measures reduce the risk of starting the power tool accidentally.
- Store idle power tools out of the reach of children and do not allow persons unfamiliar with the power tool or these instructions to operate the power tool. Power tools are dangerous in the hands of untrained users.
- Maintain power tools and accessories. Check for misalignment or binding of moving parts, breakage of parts and any other condition that may affect the power tool's operation. If damaged, have the power tool repaired before use. Many accidents are caused by poorly maintained power tools.
- Keep cutting tools sharp and clean. Properly maintained cutting tools with sharp cutting edges are less likely to bind and are easier to control.
- Use the power tool, accessories and tool bits etc. in accordance with these instructions, taking into account the working conditions and the work to be performed. Use of the power tool for operations different from those intended could result in a hazardous situation.
- Keep handles and grasping surfaces dry, clean and free from oil and grease. Slippery handles and grasping surfaces do not allow for safe handling and control of the tool in unexpected situations.

BATTERY TOOL USE AND CARE

- **Recharge only with the charger specified by the manufacturer.** A charger that is suitable for one type of battery pack may create a risk of fire when used with another battery pack.
- **Use power tools only with specifically designated battery packs.** Use of any other battery packs may create a risk of injury and fire.
- **When battery pack is not in use, keep it away from other metal objects, like paper clips, coins, keys, nails, screws or other small metal objects, that can make a connection from one terminal to another.** Shorting the battery terminals together may cause burns or a fire.
- **Under abusive conditions, liquid may be ejected from the battery; avoid contact. If contact accidentally occurs, flush with water. If liquid contacts eyes, additionally seek medical help.** Liquid ejected from the battery may cause irritation or burns.
- **Do not use a battery pack or tool that is damaged or modified.** Damaged or modified batteries may exhibit unpredictable behavior resulting in fire, explosion or risk of injury.
- **Do not expose a battery pack or tool to fire or excessive temperature.** Exposure to fire or temperature above 130°C (265°F) may cause explosion.
- **Follow all charging instructions and do not charge the battery pack or tool outside the temperature range specified in the instructions.** Charging improperly or at temperatures outside the specified range may damage the battery and increase the risk of fire.

SERVICE

- **Have your power tool serviced by a qualified repair person using only identical replacement parts.** This will ensure that the safety of the power tool is maintained.
- **Never service damaged battery packs.** Service of battery packs should only be performed by the manufacturer or authorised service providers.

SPECIFIC SAFETY RULES FOR INFLATOR

- **Do not use this tool for purposes other than inflating items such as car tyres, bike tyres, lawn equipment tyres, sports equipment, air mattresses, beach toys and other inflatables.** Use of the tool for operations different from those intended could result in a hazardous situation. Do NOT use this tool to fill air tanks or shock absorbers. Do NOT use this tool as a breathing device. Do NOT use this tool to spray chemicals.
- **Do not leave the tool unattended during operation.**
- **Risk of Bursting. Do not overinflate. Follow all manufacturer's instructions for the item.** Do not set the tool to an output pressure greater than marked maximum pressure of item to be inflated.
- **Use only recommended MILWAUKEE® inflator accessories. Others may be hazardous.**
- **Never block or plug the air outlet during operation.**
- **Never carry tool by the air hose. Damage may occur.**
- **Check air hose for wear or damage before each use. Check all accessory connections are secure. Repair all damaged parts before use. Contact a MILWAUKEE® service facility for ALL repairs.**

⚠ CAUTION Allow tool to cool for 10 minutes after each 10 minutes of continuous use.

⚠ WARNING To reduce the risk of injury, when working in dusty situations, wear appropriate respiratory protection or use a suitable dust extraction solution.

• **Always use common sense and be cautious when using tools.** It is not possible to anticipate every situation that could result in a dangerous outcome. Do not use this tool if you do not understand these operating instructions or you feel the work is beyond your capability; contact MILWAUKEE® Tool or a trained professional for additional information or training.

• **Maintain labels and nameplates.** These carry important information. If unreadable or missing, contact a MILWAUKEE® service facility for a replacement.

⚠ WARNING Some dust created by power sanding, sawing, grinding, drilling, and other construction activities contains chemicals known to cause cancer, birth defects or other reproductive harm. Some examples of these chemicals are:

- lead from lead-based paint
- crystalline silica from bricks and cement and other masonry products, and
- arsenic and chromium from chemically-treated lumber.

Your risk from these exposures varies, depending on how often you do this type of work. To reduce your exposure to these chemicals: work in a well ventilated area, and work with approved safety equipment, such as those dust masks that are specially designed to filter out microscopic particles.

ADDITIONAL BATTERY SAFETY RULES

⚠ WARNING To reduce the risk of fire, personal injury, and product damage due to a short circuit, never immerse your tool, battery pack or charger in fluid or allow a fluid to flow inside them. Corrosive or conductive fluids, such as seawater, certain industrial chemicals, and bleach or bleach-containing products, etc., can cause a short circuit.

⚠ WARNING Do not charge non-rechargeable batteries.

SYMBOLOLOGY

	Volts
	Direct Current
	Read Operator's Manual
	Wear Eye Protection
	Pressure adjustment
	On/Off
	Hot Surface - Do not touch
	Inflate

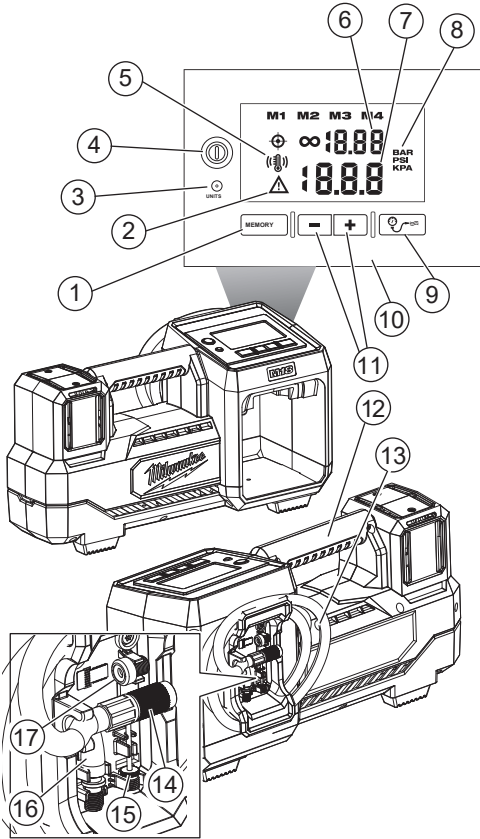


Regulatory Compliance Mark (RCM). This product meets applicable regulatory requirements.



Do not dispose of electric tools together with household waste material. Electric tools and electronic equipment that have reached the end of their life must be collected separately and returned to an environmentally compatible recycling facility.

FUNCTIONAL DESCRIPTION



1. Memory button
2. Overload indicator
3. Units button
4. Power button
5. Temperature protection indicator
6. Target input value
7. Actual value
8. Units
9. Inflation button
10. Digital pressure gauge
11. - / + buttons
12. Handle
13. Hose
14. Schrader chuck
15. Sports needle
16. Inflator nozzle
17. Presta valve

SPECIFICATIONS

Cat. No.....	M18 BI
Volts.....	18V DC
Battery Type.....	M18™
Charger Type.....	M18™
Maximum Pressure.....	150 PSI, 10.3 BAR, 1030KPa
Output.....	1.41 SCFM @ 0 PSI 0.99 SCFM @ 45 PSI

Recommended Ambient

Operating Temperature..... -17°C to 51°C

ASSEMBLY

WARNING Recharge only with the charger specified for the battery. For specific charging instructions, read the operator's manual supplied with your charger and battery.

Removing/Inserting the Battery

To remove the battery, push in the release buttons and pull the battery pack away from the tool.

WARNING Always lock the trigger or remove the battery pack any time the tool is not in use.

To insert the battery, slide the pack into the body of the tool. Make sure it latches securely into place.

WARNING Only use accessories specifically recommended for this tool. Others may be hazardous.

Setting the Units (BAR, PSI or KPA)

To select the desired unit of pressure, press the Units button to scroll through the units (BAR, PSI or KPA).

(🔊) Temperature Protection

During extended use or constricted air flow, the tool temperature may rise. If the Temperature Protection Indicator (🔊) comes on, allow the tool to cool for at least 10 minutes before continuing. In extremely low temperatures, the Temperature Protection Indicator (🔊) may come on if the battery is too cold.

CAUTION Allow tool to cool for 10 minutes after each 10 minutes of continuous use.

⚠️ Overload Warning

If airflow is constricted during use, the Overload Warning Indicator ⚠️ may come on. Check all connections for blockages before continuing use.

Accessories/Hose Storage

Accessories provided with the inflator can be stored on the back of the tool. The hose can be wrapped around the storage area and secured in the hose clamp.

OPERATION

WARNING To reduce the risk of injury, always wear proper eye protection marked to comply with AS/NZS 1337.1.

When working in dusty situations, wear appropriate respiratory protection or use a suitable dust extraction solution.


Do not leave the tool unattended during operation. Risk of Bursting. Do not overinflate. Follow all manufacturer's instructions for the item.

Using the Inflator

1. Place the tool on flat surface.
2. Insert the proper accessory for the item to be inflated.
3. Attach the accessory to the item to be inflated.
 - Always attach the inflator to desired object before starting inflation.
 - No accessory is needed for common car/truck tyre schrader valves.
 - For car/truck tyres, screw schrader chuck onto tyre valve and ensure it is tight.
4. Insert the battery pack.
5. To turn on, press the Power **ⓘ** button. The tool will detect the current air pressure of the item.
6. Use the **-** and **+** buttons to set the target pressure, if desired. Press and hold **-** or **+** buttons to jump down or up faster.

NOTE: Setting target pressure is not recommended when using the accessory nozzles.

NOTE: If the current pressure item to be inflated is greater than the target pressure, the tool will not begin inflation.

7. To start, press the Inflation  button.

NOTE: Flashing dashes during inflating or connecting indicate the tool is recalibrating pressure.
8. The tool will shut off automatically once the target pressure has been reached. Target mode shows 0 PSI if no target pressure is set. Inflator will run until 150 PSI max pressure.

CAUTION: Allow tool to cool for 10 minutes after each 10 minutes of continuous use.

9. To stop, press the Inflation  button or power button.

NOTE: The tool will shut down after 5 minutes of inactivity.

Memory Settings

To view memory settings, press the memory button to navigate through memory slots M1 - M4. After reaching memory slot M4, pressing the memory button again will save any new settings and return to the home screen.

To adjust memory settings:

1. Press the memory button to navigate M1 - M4.
2. Press the **+** or **-** button to increase/decrease memory setting.

To inflate to a saved memory setting:

1. Press and hold Memory button for 2 seconds to save memory setting.
2. Target inflation numbers will flash twice to confirm the save.

Troubleshooting

If pressure accuracy becomes poor or the inflator's actual value reads greater than zero when not connected to any object, the pressure sensor may have drifted due to altitude or other factors.

To reset:

Press and hold the **-** Button and Inflation Button together for 3 seconds to set pressure gauge to zero.

Sports Needle/Raft Nozzle

Insert needle or nozzle into the item to be inflated. Be careful not to bend the accessory. Remove after inflation.

Presta Valve

Use the Presta valve with Presta valve stems. Before inflating, loosen the locking nut on the valve stem. Once inflation is complete, tighten the locking nut to seal the valve.

MAINTENANCE

⚠WARNING To reduce the risk of injury, always unplug the charger and remove the battery pack from the charger or tool before performing any maintenance. Never disassemble the tool, battery pack or charger. Contact a MILWAUKEE® service facility for ALL repairs.

Maintaining Tool

Keep your tool, battery pack and charger in good repair by adopting a regular maintenance program. Inspect your tool for issues such as undue noise, misalignment or binding of moving parts, breakage of parts, or any other condition that may affect the tool operation. Return the tool, battery pack, and charger to a MILWAUKEE® service facility for repair. After six months to one year, depending on use, return the tool, battery pack and charger to a MILWAUKEE® service facility for inspection.

If the tool does not start or operate at full power with a fully charged battery pack, clean the contacts on the battery pack. If the tool still does not work properly, return the tool, charger and battery pack, to a MILWAUKEE® service facility for repairs.

⚠WARNING To reduce the risk of personal injury and damage, never immerse your tool, battery pack or charger in liquid or allow a liquid to flow inside them.

Cleaning

Clean dust and debris from any vents. Keep tool clean, dry and free of oil or grease. Use only mild soap and a damp cloth to clean, since certain cleaning agents and solvents are harmful to plastics and other insulated parts. Some of these include petrol, turpentine, lacquer thinner, paint thinner, chlorinated cleaning solvents, ammonia and household detergents containing ammonia. Never use flammable or combustible solvents around tools.

Repairs

For repairs, return the tool, battery pack and charger to the nearest authorised service centre.

ACCESSORIES

⚠WARNING Use only recommended accessories. Others may be hazardous.

For a complete listing of accessories, go online to milwaukeeetool.com.au/ milwaukeeetool.co.nz or contact a distributor.

WARRANTY - AUSTRALIA and NEW ZEALAND

Please refer to Australian and New Zealand warranty supplied with tool. This warranty applies only to product sold by authorised dealers in Australia and New Zealand.

SERVICE - AUSTRALIA and NEW ZEALAND

MILWAUKEE® prides itself in producing a premium quality product that is Nothing But Heavy Duty™. Your satisfaction with our products is very important to us! If you encounter any problems with the operation of this tool, please contact your authorised **MILWAUKEE®** dealer.

For a list of **MILWAUKEE®** dealers, guarantee or service agents please contact **MILWAUKEE®** Customer Service or visit our website.

(Australia Toll Free Telephone Number 1300 645 928)

(New Zealand Toll Free Telephone Number 0800 645 928)

or visit milwaukeetool.com.au/milwaukeetool.co.nz.

Milwaukee Electric Tool Corporation

13135 West Lisbon Road, Brookfield, Wisconsin U.S.A. 53005

Milwaukee Tool (Australia)

26 - 40 Nina Link, Dandenong South,
Victoria, 3175, Australia

Milwaukee Tool (New Zealand)

274 Church Street, Penrose,
Auckland, 1061, New Zealand

DESIGNED BY MILWAUKEE ELECTRIC TOOL CORP.
PROFESSIONALLY MADE IN TAIWAN
PRINTED IN TAIWAN