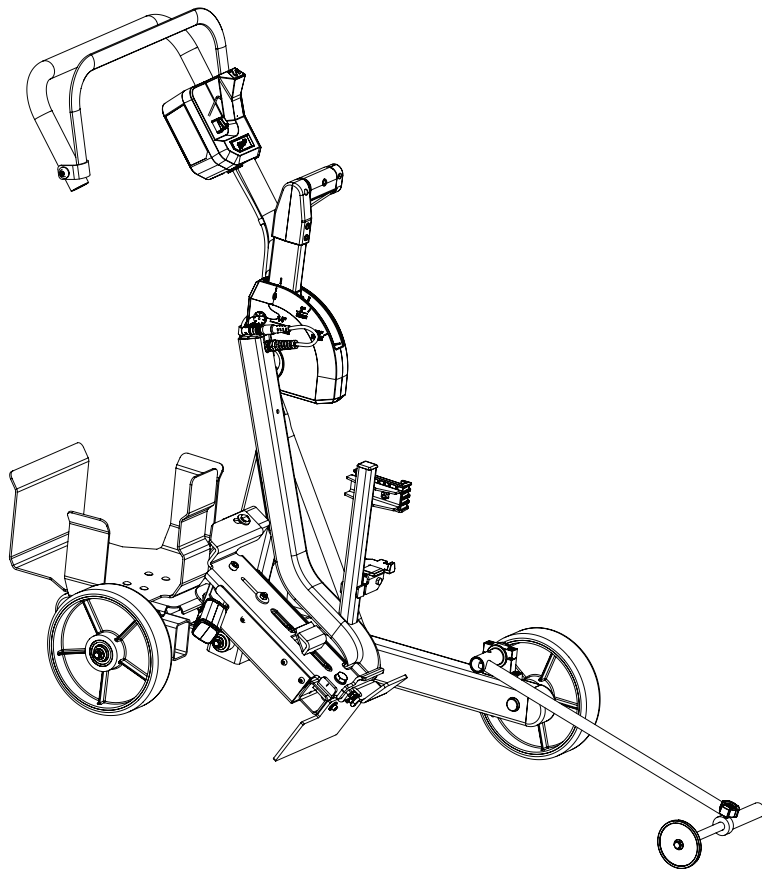





OPERATOR'S MANUAL



Cat. No.
MXF COSCG2

MX FUEL™ 355MM (14") CUT-OFF SAW CART

 **WARNING**

 To reduce the risk of injury, user must read and understand operator's manual.

GENERAL POWER TOOL SAFETY WARNINGS

WARNING Read all safety warnings, instructions, illustrations and specifications provided with this power tool. Failure to follow all instructions listed below may result in electric shock, fire and/or serious injury. **Save all warnings and instructions for future reference.** The term "power tool" in the warnings refers to your mains-operated (corded) power tool or battery-operated (cordless) power tool.

WORK AREA SAFETY

- **Keep work area clean and well lit.** Cluttered or dark areas invite accidents.
- **Do not operate power tools in explosive atmospheres, such as in the presence of flammable liquids, gases or dust.** Power tools create sparks which may ignite the dust or fumes.
- **Keep children and bystanders away while operating a power tool.** Distractions can cause you to lose control.

ELECTRICAL SAFETY

- **Power tool plugs must match the outlet. Never modify the plug in any way. Do not use any adapter plugs with earthed (grounded) power tools.** Unmodified plugs and matching outlets will reduce risk of electric shock.
- **Avoid body contact with earthed or grounded surfaces, such as pipes, radiators, ranges and refrigerators.** There is an increased risk of electric shock if your body is earthed or grounded.
- **Do not expose power tools to rain or wet conditions.** Water entering a power tool will increase the risk of electric shock.
- **Do not abuse the cord. Never use the cord for carrying, pulling or unplugging the power tool. Keep cord away from heat, oil, sharp edges or moving parts.** Damaged or entangled cords increase the risk of electric shock.
- **When operating a power tool outdoors, use an extension cord suitable for outdoor use.** Use of a cord suitable for outdoor use reduces the risk of electric shock.
- **If operating a power tool in a damp location is unavoidable, use a residual current device (RCD) protected supply.** Use of a RCD reduces the risk of electric shock.

PERSONAL SAFETY

- **Stay alert, watch what you are doing and use common sense when operating a power tool. Do not use a power tool while you are tired or under the influence of drugs, alcohol or medication.** A moment of inattention while operating power tools may result in serious personal injury.
- **Use personal protective equipment. Always wear eye protection.** Protective equipment such as a dust mask, non-skid safety shoes, hard hat or hearing protection used for appropriate conditions will reduce personal injuries.
- **Prevent unintentional starting. Ensure the switch is in the off-position before connecting to power source and/or battery pack, picking up or carrying the tool.** Carrying power tools with your finger on the switch or energising power tools that have the switch on invites accidents.

- **Remove any adjusting key or wrench before turning the power tool on.** A wrench or a key left attached to a rotating part of the power tool may result in personal injury.
- **Do not overreach. Keep proper footing and balance at all times.** This enables better control of the power tool in unexpected situations.
- **Dress properly. Do not wear loose clothing or jewellery. Keep your hair and clothing away from moving parts.** Loose clothes, jewellery or long hair can be caught in moving parts.
- **If devices are provided for the connection of dust extraction and collection facilities, ensure these are connected and properly used.** Use of dust collection can reduce dust-related hazards.
- **Do not let familiarity gained from frequent use of tools allow you to become complacent and ignore tool safety principles.** A careless action can cause severe injury within a fraction of a second.

POWER TOOL USE AND CARE

- **Do not force the power tool. Use the correct power tool for your application.** The correct power tool will do the job better and safer at the rate for which it was designed.
- **Do not use the power tool if the switch does not turn it on and off.** Any power tool that cannot be controlled with the switch is dangerous and must be repaired.
- **Disconnect the plug from the power source and/or remove the battery pack, if detachable, from the power tool before making any adjustments, changing accessories, or storing power tools.** Such preventive safety measures reduce the risk of starting the power tool accidentally.
- **Store idle power tools out of the reach of children and do not allow persons unfamiliar with the power tool or these instructions to operate the power tool.** Power tools are dangerous in the hands of untrained users.
- **Maintain power tools and accessories. Check for misalignment or binding of moving parts, breakage of parts and any other condition that may affect the power tool's operation. If damaged, have the power tool repaired before use.** Many accidents are caused by poorly maintained power tools.
- **Keep cutting tools sharp and clean.** Properly maintained cutting tools with sharp cutting edges are less likely to bind and are easier to control.
- **Use the power tool, accessories and tool bits etc. in accordance with these instructions, taking into account the working conditions and the work to be performed.** Use of the power tool for operations different from those intended could result in a hazardous situation.
- **Keep handles and grasping surfaces dry, clean and free from oil and grease.** Slippery handles and grasping surfaces do not allow for safe handling and control of the tool in unexpected situations.

BATTERY TOOL USE AND CARE


- **Recharge only with the charger specified by the manufacturer.** A charger that is suitable for one type of battery pack may create a risk of fire when used with another battery pack.
- **Use power tools only with specifically designated battery packs.** Use of any other battery packs may create a risk of injury and fire.

- When battery pack is not in use, keep it away from other metal objects, like paper clips, coins, keys, nails, screws or other small metal objects, that can make a connection from one terminal to another. Shorting the battery terminals together may cause burns or a fire.
- Under abusive conditions, liquid may be ejected from the battery; avoid contact. If contact accidentally occurs, flush with water. If liquid contacts eyes, additionally seek medical help. Liquid ejected from the battery may cause irritation or burns.
- Do not use a battery pack or tool that is damaged or modified. Damaged or modified batteries may exhibit unpredictable behaviour resulting in fire, explosion or risk of injury.
- Do not expose a battery pack or tool to fire or excessive temperature. Exposure to fire or temperature above 130°C (265°F) may cause explosion.
- Follow all charging instructions and do not charge the battery pack or tool outside the temperature range specified in the instructions. Charging improperly or at temperatures outside the specified range may damage the battery and increase the risk of fire.

SERVICE

- Have your power tool serviced by a qualified repair person using only identical replacement parts. This will ensure that the safety of the power tool is maintained.
- Never service damaged battery packs. Service of battery packs should only be performed by the manufacturer or authorised service providers.

SPECIFIC SAFETY RULES FOR CUT-OFF MACHINE CART

AWARNING Use two people whenever it is necessary to lift or carry the cart. Cart is heavy. Lift with legs, not back. 

- To reduce the risk of injury, always wear eye protection. Use appropriate hearing and respiratory protection.
- Properly assemble the cart before mounting the tool. Proper assembly is important to prevent risk of collapse.
- Securely fasten the tool to the cart before use. Tool shifting on the cart can cause loss of control.
- Place the cart on a solid, flat and level surface. When the cart can shift or rock, the tool cannot be steadily and safely controlled.
- Use only with MX FUEL™ Cut-Off Machine MXF COS350G2. Improperly installed tools can cause injury or property damage.
- Remove battery from tool before connecting to cart, storing, or transporting.
- Check alignment and tighten all connections before each use.
- Clear debris from the path of the cart. If the cart is pushed over objects, the abrasive wheel may bind in the cut and shatter.
- Always use the cart to cut in a straight line. Veering may cause flexing of the abrasive wheel and shatter the wheel.
- Follow all instructions and warnings provided with the cut-off machine.
- Maintain control. Keep proper footing and balance at all times.

- Maintain cart carefully. Keep cart dry, clean and free from oil and grease. Follow instructions for changing accessories. Periodically inspect cart for damage and wear.
- Always use common sense and be cautious when using tools. It is not possible to anticipate every situation that could result in a dangerous outcome. Do not use this tool if you do not understand these operating instructions or you feel the work is beyond your capability; contact MILWAUKEE® Tool or a trained professional for additional information or training.
- Maintain labels and nameplates. These carry important information. If unreadable or missing, contact a MILWAUKEE® service facility for a replacement.

AWARNING Some dust created by power sanding, sawing, grinding, drilling, and other construction activities contains chemicals known to cause cancer, birth defects or other reproductive harm. Some examples of these chemicals are:

- lead from lead-based paint
- crystalline silica from bricks and cement and other masonry products, and
- arsenic and chromium from chemically-treated lumber.

Your risk from these exposures varies, depending on how often you do this type of work. To reduce your exposure to these chemicals: work in a well ventilated area, and work with approved safety equipment, such as those dust masks that are specially designed to filter out microscopic particles.

READ AND SAVE ALL INSTRUCTIONS FOR FUTURE USE

ADDITIONAL BATTERY SAFETY RULES

AWARNING To reduce the risk of fire, personal injury, and product damage due to a short circuit, never immerse your tool, battery pack or charger in fluid or allow a fluid to flow inside them. Corrosive or conductive fluids, such as seawater, certain industrial chemicals, and bleach or bleach-containing products, etc., can cause a short circuit.

AWARNING Do not charge non-rechargeable batteries.

SPECIFICATIONS

Cat. No. MXF COSCG2
 Depth adjustment 120 mm (4-3/4")
 Use with..... MX FUEL™ Cut-Off Machine
 MXF COS350G2

SYMBOLGY



Read operator's manual



Always wear eye protection. Use appropriate hearing and respiratory protection.



Two-person lift



Do not use central lift point.



Do not lift with forks.



Do not lift with an excavator bucket.

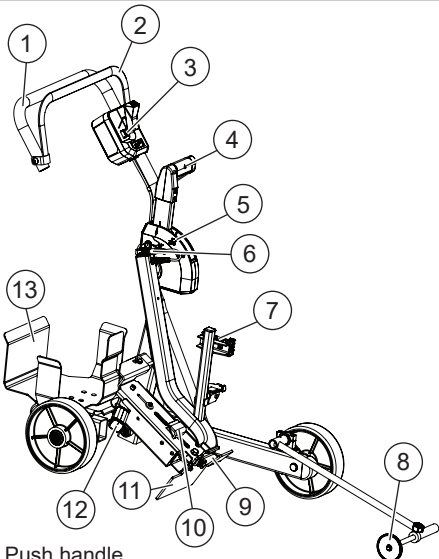


Regulatory Compliance Mark (RCM). This product meets applicable regulatory requirements.

Do not dispose of electric tools together with household waste material. Electric tools and electronic equipment that have reached the end of their life must be collected separately and returned to an environmentally compatible recycling facility.



FUNCTIONAL DESCRIPTION

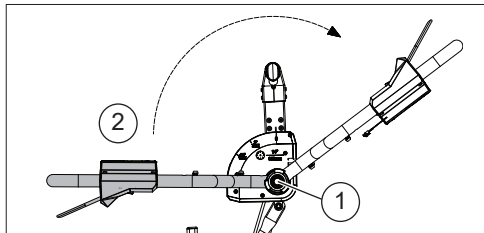


1. Push handle
2. Throttle lever
3. Throttle lever release button
4. Cutting depth adjustment handle
5. Depth scale
6. Connection cable
7. Battery storage
8. Guide wheel
9. Mounting hook
10. Latching hook
11. Splash guard
12. Locking lever
13. Water tank brackets

ASSEMBLY

Moving Cart into Working Position

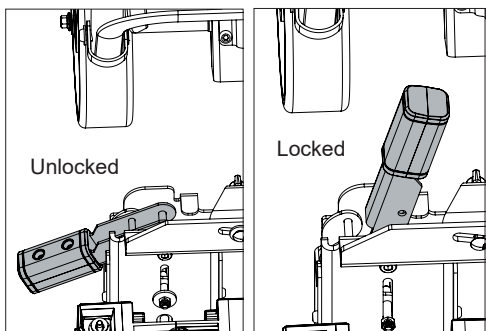
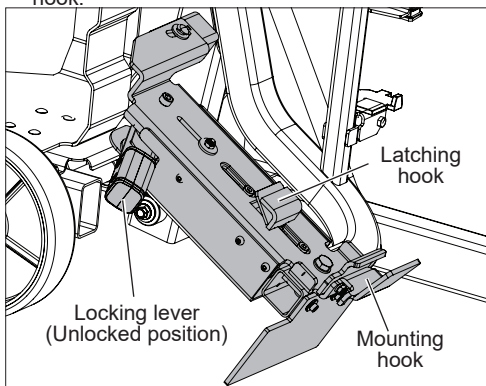
1. Loosen handle locking knob (1) and move push handle (2) into upright working position. Tighten handle locking knob (1).



Mounting the Cut-Off Machine

WARNING Remove battery pack from cut-off machine before mounting to cart. Use only with MX FUEL™ Cut-Off Machine MXF COS350G2.

1. Ensure locking lever is in unlocked position.
2. Place machine onto mounting hook and latching hook.

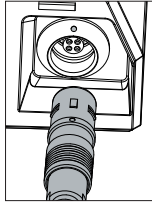


3. Secure the machine to the cart by putting the locking lever into the locked position and engaging the latching hook with the machine.

Connecting to Cut-Off Machine

(Cat. No. MXF COS350G2)

To connect the cart to the cut-off machine, remove cap from the connection cable, line up the red dots and insert into the port of the machine. The connection allows the cart to control the throttle of the machine. Always close the cart connector port and replace cap when not in use to maintain dust and moisture protection.



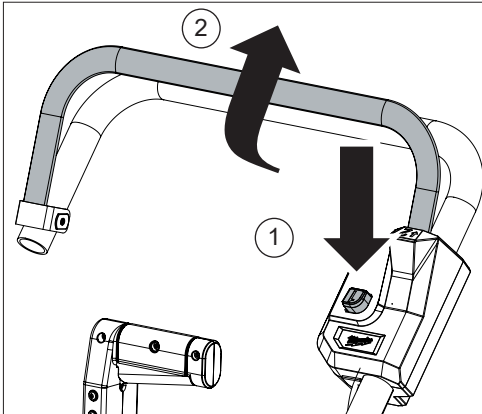
OPERATION

⚠WARNING Always use personal protective equipment. Always wear eye protection marked to comply with AS/NZS 1337.1.

When working in dusty situations, wear appropriate respiratory protection or use a suitable dust extraction solution.

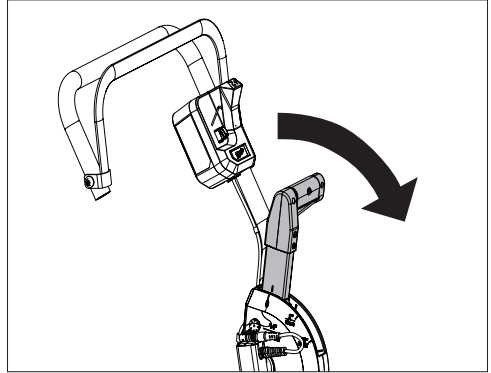
Surface Cutting

1. Clear debris from the path of the cart. Debris can hinder or damage the wheel.
2. Arm the cut-off machine. Follow all instructions and warnings provided with the cut-off machine.
3. Open the water supply line to the machine.
4. The cart uses a mechanical lever system to engage the cut-off machine's trigger. To start the cut-off machine, press the "1" button (1) before pulling the throttle lever (2). Release lever to stop.



5. Allow machine to come to full speed before contacting work surface.
6. Lower the depth handle and lock it at the desired depth. Insert the wheel into the work surface only to the depth necessary to make the desired cut.

7. Allow the machine to plunge into the cutting material until it reaches the desired depth.
8. Ensure the cart is locked at the desired depth before moving the cart forward.



9. Once depth of cut is set, return both hands to the push handle.
10. Slowly push the cart forward in a straight line.

⚠WARNING Be wary of kickback forces, flexing of the wheel, or contact with foreign objects; these can cause the operator to lose control of the cart and/or the wheel to shatter. Monitor the water supply during use.

11. To stop the cut-off machine, release the throttle lever. Allow wheel to come to a complete stop before removing wheel from the cut.
12. Close the water supply line to the machine.
13. Raise depth adjustment handle to move the wheel above work surface.

MAINTENANCE

⚠WARNING To reduce the risk of injury, always unplug the charger and remove the battery pack from the charger or tool before performing any maintenance. Never disassemble the battery pack, charger, or tool, except as provided in these instructions. Contact a MILWAUKEE® service facility for ALL repairs.

Maintaining Cart

Start a regular maintenance program to keep your cart in good repair. Inspect your cart for issues such as undue noise, misalignment or binding of moving parts, breakage of parts, or any other condition that may affect the operation. Return cart to a MILWAUKEE® service facility for repair.

Cleaning

Clean dust and debris from vents. Keep handles clean, dry and free of oil or grease. Use only mild soap and a damp cloth to clean, since certain cleaning agents and solvents are harmful to plastics and other insulated parts. Some of these include petrol, turpentine, lacquer thinner, paint thinner, chlorinated cleaning solvents, ammonia and household detergents containing ammonia. Never use flammable or combustible solvents around tools.

Storage

Remove battery from machine and water from tank before storing. The push handle can be folded forward for compact storage.

Repairs

For repairs, return the cart to the nearest authorised service centre.

ACCESSORIES

⚠WARNING Use only recommended accessories. Others may be

hazardous.

For a complete listing of accessories, go online to milwaukeetool.com.au / milwaukeetool.co.nz or contact an authorised distributor.

M18™ Switch Tank Compatibility

The cart is compatible with *MILWAUKEE*® M18™ SWITCH TANK™ 15 Litre Backpack Water Supply with Powered Base (M18 BFPWS).

WARRANTY - AUSTRALIA and NEW ZEALAND

Please refer to Australian and New Zealand warranty supplied with tool. This warranty applies only to product sold by authorised dealers in Australia and New Zealand.

SERVICE - AUSTRALIA and NEW ZEALAND

MILWAUKEE® prides itself in producing a premium quality product that is Nothing But Heavy Duty™. Your satisfaction with our products is very important to us! If you encounter any problems with the operation of this tool, please contact your authorised **MILWAUKEE®** dealer.

For a list of **MILWAUKEE®** dealers, guarantee or service agents please contact **MILWAUKEE®** Customer Service or visit our website.

(Australia Toll Free Telephone Number 1300 645 928)

(New Zealand Toll Free Telephone Number 0800 645 928)

or visit milwaukeetool.com.au/milwaukeetool.co.nz.

Milwaukee Electric Tool Corporation

13135 West Lisbon Road, Brookfield, Wisconsin U.S.A. 53005

Milwaukee Tool (Australia)

26 - 40 Nina Link, Dandenong South,
Victoria, 3175, Australia

Milwaukee Tool (New Zealand)

274 Church Street, Penrose,
Auckland, 1061, New Zealand

DESIGNED BY MILWAUKEE ELECTRIC TOOL CORP.

PROFESSIONALLY MADE IN CHINA

PRINTED IN CHINA