



# INTERNAL RECHARGEABLE FLASHLIGHT 500 LUMEN

## IMPORTANT SAFETY INSTRUCTIONS

**⚠WARNING** READ ALL SAFETY WARNINGS, INSTRUCTIONS, ILLUSTRATIONS AND SPECIFICATIONS PROVIDED WITH THIS POWER TOOL. Failure to follow all instructions listed below may result in electric shock, fire and/or serious injury. **SAVE THESE INSTRUCTIONS- THIS OPERATOR'S MANUAL CONTAINS IMPORTANT SAFETY AND OPERATING INSTRUCTIONS.**

•**AVOID DANGEROUS ENVIRONMENTS.** Do not charge battery in rain, snow, damp or wet locations. Do not use battery or charger in the presence of explosive atmospheres (gaseous fumes, dust or flammable materials) because sparks may be generated, possibly causing fire.

•**CHARGE IN A WELL VENTILATED AREA.** Do not block charger vents. Keep them clear to allow proper ventilation. Do not allow smoking or open flames near a charging battery. Vented gases may explode.

•**MAINTAIN CORD.** When unplugging charger, pull plug rather than cord to reduce the risk of damage to the electrical plug and cord. Never carry charger by its cord. Keep cord from heat, oil and sharp edges. Make sure cord will not be stepped on, tripped over or subjected to damage or stress. Do not use charger with damaged cord or plug. Have a damaged charger replaced immediately.

•**USE ONLY RECOMMENDED ATTACHMENTS.** Use of an attachment not recommended or sold by the battery charger or battery manufacturer may result in a risk of fire, electric shock or personal injury.

•**TO REDUCE THE RISK OF ELECTRIC SHOCK,** always unplug charger before cleaning or maintenance.

•**DO NOT BURN OR INCINERATE BATTERY PACKS.** Battery may explode, causing personal injury or damage. Toxic fumes and materials are created when battery are burned.

•**DO NOT CRUSH, DROP, OR DAMAGE BATTERY.** Do not use a battery or charger that has received a sharp blow, been dropped, run over, or damaged in any way (e.g., pierced with a nail, hit with a hammer, stepped on).

•**DO NOT DISASSEMBLE.** Incorrect reassembly may result in the risk of electric shock, fire or exposure to battery chemicals. If it is damaged, take it to a MILWAUKEE® service facility.

•**BATTERY CHEMICALS CAUSE SERIOUS BURNS.** Never allow contact with skin, eyes, or mouth. If a damaged battery leaks battery chemicals, use rubber or neoprene gloves to dispose of it. If skin is exposed to battery fluids, wash with soap and water and rinse with vinegar. If eyes are exposed to battery chemicals, immediately flush with water for 20 minutes and seek medical attention. Remove and dispose of contaminated clothing.

•**DO NOT SHORT CIRCUIT.** Do not allow fluids to flow into tool. Corrosive conductive fluids, such as seawater, certain industrial chemicals, and bleach or bleach containing products, etc., can cause a short circuit. A short circuited battery pack may cause fire, personal injury, and product damage.

•**STORE** in a cool, dry place. Do not store battery where temperatures may exceed 50°C (120°F) such as in direct sunlight, a vehicle or metal building during the summer.

•**TO REDUCE THE RISK OF INJURY, CLOSE SUPERVISION IS NECESSARY** when an appliance is used near children.

•**STORE IDLE LIGHT OUT OF REACH OF CHILDREN.** Warm lights can become hazardous in the hands of children.

•**KNOW YOUR LIGHT.** Read this manual carefully to learn your light's applications and limitations as well as potential hazards associated with this type of light.

•**MAINTAIN LABELS AND NAMEPLATES.** These carry important information. If unreadable or missing, contact a MILWAUKEE® service facility for a replacement.

## ADDITIONAL BATTERY SAFETY RULES

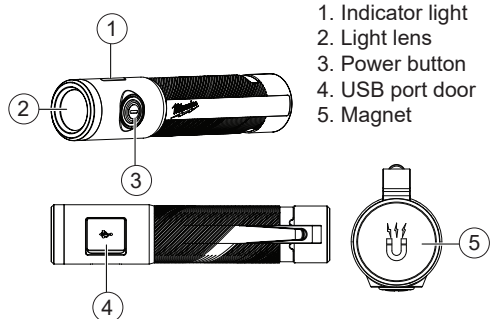
**⚠WARNING** To reduce the risk of fire, personal injury, and product damage due to a short circuit, never immerse your tool, battery pack or charger in fluid or allow a fluid to flow inside them. Corrosive or conductive fluids, such as seawater, certain industrial chemicals, and bleach or bleach-containing products, etc., can cause a short circuit.

**⚠WARNING** Do not charge non-rechargeable batteries.

## SPECIFICATIONS

Cat. No. ....	IR FL500
Volts.....	4V DC
Watts.....	6W
IP Rating.....	67
Lumens.....	500
USB Input Volts .....	5V DC
USB Input Amps .....	0.1A-1.1A
Charging Temperature.....	5°C to 40°C
Operating Temperature.....	-18°C to 40°C

## FUNCTIONAL DESCRIPTION



# SYMBOLGY



Read Operator's Manual



Do not stare at the operating light source.



Magnet



USB



Power



Class III appliance



Regulatory Compliance Mark (RCM). This product meets applicable regulatory requirements.



Do not dispose of electric tools together with household waste material. Electric tools and electronic equipment that have reached the end of their life must be collected separately and returned to an environmentally compatible recycling facility.

3. The indicator light will display the charging status:

Red Pulsing: Charging, 0-49% charged  
Yellow Pulsing: Charging, 50-99% charged  
Green Solid: 100% Charged  
Red Solid: Hot Battery  
Red/Green Flashing: Cold, Wet, or Faulty


If the light continues to flash red and green, the battery may be cold, wet, faulty, or the battery did not fully charge after 12 hours. If the light is solid red, the battery is too hot. Allow the battery to cool down, warm up, or dry out. Turn the light on or plug in for charging. If the problem persists, contact a **MILWAUKEE®** service facility.


## OPERATION



**CAUTION** To reduce the risk of injury, do not stare at the operating light source.


To avoid damage/discoloration to surfaces due to high temperatures, do not set the light lens-down.

The Flashlight has a dual function power button  to switch between high, medium, and low.

To turn the flashlight ON, press and release the Power button .

To turn the flashlight OFF, press and release the Power button .

To cycle through modes while the flashlight is on, press and hold the Power button . Release the Power button  to select the desired mode.

When the light is OFF, press and hold the Power button  for 1.5 seconds to turn the light directly into low mode.

The fuel gauge located on the side of the light head will display the battery life:

Red Flashing: 0-3% remaining  
Red Solid: 3-9% remaining  
Yellow Solid: 10-49% remaining  
Green Solid: 50-100% remaining

Overtemperature condition (>55°C):

The light will enter a lower output to reduce flashlight temperature. Once the light has returned to operating temperatures, the light will resume normal operation.

## MAINTENANCE

**WARNING** To reduce the risk of injury, always unplug product and remove from the charger before performing any maintenance.

Never disassemble the tool, battery pack or charger. Contact a **MILWAUKEE®** service facility for ALL repairs.

### Maintaining Tool

Keep the tool, battery pack and charger in good repair by adopting a regular maintenance program. Return the tool, battery pack, and charger to a **MILWAUKEE®** service facility for repair.

### Cleaning

Clean dust and debris from vents. Keep handles clean, dry and free of oil or grease. Use only mild soap and a damp cloth to clean, since certain cleaning agents and solvents are harmful to plastics and other insulated parts. Some of these include petrol, turpentine, lacquer thinner, paint thinner, chlorinated cleaning solvents, ammonia and household detergents containing ammonia. Never use flammable or combustible solvents around tools.

## BATTERY

### Maintenance and Storage

Limit exposure of your product to water or rain, or allow them to get wet. Do not use oil or solvents to clean or lubricate your tool. The plastic casing will become brittle and crack, causing a risk of injury.

Store product at room temperature away from moisture. Do not store in damp locations where corrosion of terminals may occur. Permanent capacity loss can result if the product is stored for long periods of time at high temperatures (over 48°C). After about a year of storage, charge the product as normal.

**WARNING** To reduce the risk of injury or explosion, never burn or incinerate a tool even if it is damaged, dead or completely discharged. When burned, toxic fumes and materials are created.

### Disposing of MILWAUKEE® Li-Ion Battery

**MILWAUKEE®** Li-Ion batteries are more environmentally friendly than some other types of power tool batteries. Always dispose of your battery according to federal, state and local regulations. Contact a recycling agency in your area for recycling locations. Even discharged batteries contain some energy.

### Charging the Battery

1. Plug your USB cable into a power source such as an AC wall adaptor, computer or car port.
2. Lift the rubber cover to access the USB-C port. Insert the USB-C plug into the USB-C port. Users may experience longer charge times from laptops and other power sources.

## **Repairs**

This tool has limited serviceable parts including a non-replaceable battery pack. Do not open housing or disassemble tool. For repairs, return the tool, battery pack and charger to the nearest authorised service centre.

The light source of this luminaire is not replaceable; when the light source reaches its end of life the whole luminaire shall be replaced.

## **WARRANTY - AUSTRALIA and NEW ZEALAND**

Please refer to Australian and New Zealand warranty supplied with tool. This warranty applies only to product sold by authorised dealers in Australia and New Zealand.

## **SERVICE - AUSTRALIA and NEW ZEALAND**

**MILWAUKEE®** prides itself in producing a premium quality product that is Nothing But Heavy Duty™. Your satisfaction with our products is very important to us! If you encounter any problems with the operation of this tool, please contact your authorised **MILWAUKEE®** dealer.

For a list of **MILWAUKEE®** dealers, guarantee or service agents please contact **MILWAUKEE®** Customer Service or visit our website.

(Australia Toll Free Telephone Number 1300 645 928)

(New Zealand Toll Free Telephone Number 0800 645 928)

or visit [milwaukeetool.com.au/milwaukeetool.co.nz](http://milwaukeetool.com.au/milwaukeetool.co.nz).

### **Milwaukee Electric Tool Corporation**

13135 West Lisbon Road, Brookfield, Wisconsin U.S.A. 53005

#### **Milwaukee Tool (Australia)**

26 - 40 Nina Link, Dandenong South,  
Victoria, 3175, Australia

#### **Milwaukee Tool (New Zealand)**

274 Church Street, Penrose,  
Auckland, 1061, New Zealand

DESIGNED BY MILWAUKEE ELECTRIC TOOL CORP.