


Cat. No.
M12 JSSP2

M12™ Bluetooth® JOBSITE SPEAKER

 **WARNING**

 To reduce the risk of injury, user must read and understand operator's manual.

IMPORTANT SAFETY INSTRUCTIONS

⚠WARNING READ, UNDERSTAND AND FOLLOW ALL INSTRUCTIONS.

Failure to heed all warnings listed below, may result in electric shock, fire and/or serious personal injury. **KEEP THESE INSTRUCTIONS.**

- Read these instructions.
- Keep these instructions.
- Heed all warnings.
- Do not use this appliance near water. Never immerse the apparatus in liquid or allow a liquid to flow inside the apparatus. Water entering an apparatus will increase the risk for electric shock.
- Clean only with dry cloth. Certain cleaning agents and solvents are harmful to plastics and other insulated parts. Some of these include: gasoline, turpentine, lacquer thinner, paint thinner, chlorinated cleaning solvents, ammonia and household detergents containing ammonia. Clean dust and debris from vents. Keep the apparatus handle clean, dry and free of oil or grease.
- Do not block any ventilation openings. Install in accordance with the manufacturer's instructions.
- Do not use near any heat sources such as radiators, heat registers, stoves, or other appliances (including amplifiers) that produce heat.
- Only use attachments/accessories specified by the manufacturer.
- Refer all servicing to qualified service personnel. Servicing is required when the apparatus has been damaged in any way, such as power-supply cord or plug is damaged, liquid has been spilled or objects have fallen into the apparatus, the apparatus has been exposed to rain or moisture or does not operate normally. Service or maintenance performed by unqualified personnel could result in a risk of injury.
- A battery operated apparatus with integral batteries or a separate battery pack must be recharged only with the specified charger for the battery. A charger that may be suitable for one type of battery may create a risk of fire when used with another battery.
- Use only with specifically designated battery packs. Use of any other batteries may create a risk of fire.
- When battery pack is not in use, keep it away from other metal objects like: paper clips, coins, keys, nails, screws, or other small metal objects that can make a connection from one terminal to another. Shorting the battery terminals together may cause sparks, burns, or a fire.
- Never disassemble the speaker.
- Do not expose this appliance to dripping and splashing liquids, or place objects filled with liquids on this unit.

SPECIFIC SAFETY RULES

• Always use common sense and be cautious when using tools. It is not possible to anticipate every situation that could result in a dangerous outcome. Do not use this tool if you do not understand these operating instructions or you feel the work is beyond your capability; contact MILWAUKEE® Tool or a trained professional for additional information or training.

• Maintain labels and nameplates. These carry important information. If unreadable or missing, contact a MILWAUKEE® service facility for a replacement.

READ AND SAVE ALL INSTRUCTIONS FOR FUTURE USE.

ADDITIONAL BATTERY SAFETY RULES

⚠WARNING To reduce the risk of fire, personal injury, and product damage due to a short circuit, never immerse your tool, battery pack or charger in fluid or allow a fluid to flow inside them. Corrosive or conductive fluids, such as seawater, certain industrial chemicals, and bleach or bleach-containing products, etc., can cause a short circuit.

⚠WARNING Do not charge non-rechargeable batteries.

Disposal of a battery into fire or a hot oven, or mechanically crushing or cutting of a battery.

Leaving a battery in an extremely high temperature surrounding environment that can result in an explosion or the leakage of flammable liquid or gas.

A battery subjected to extremely low air pressure that may result in an explosion or the leakage of flammable liquid or gas.

SYMBOLGY



Volts



Read operator's manual



Presence of important operating instructions.



USB-C



Indoor use only



Regulatory Compliance Mark (RCM). This product meets applicable regulatory requirements.



Do not dispose of electric tools together with household waste material. Electric tools and electronic equipment that have reached the end of their life must be collected separately and returned to an environmentally compatible recycling facility.

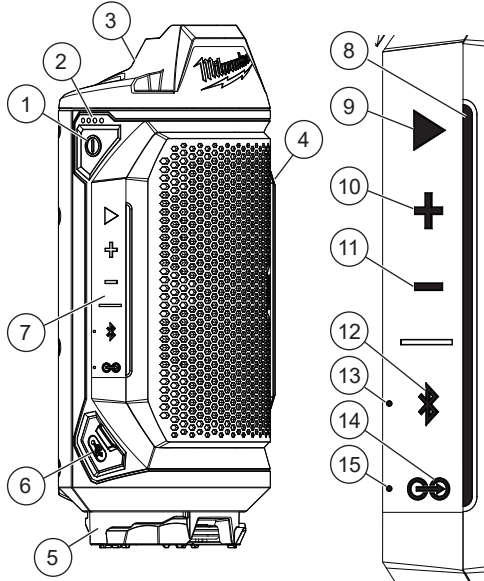
SPECIFICATIONS

Cat. No.....	M12 JSSP2
Battery Type.....	M12™
Charger Type.....	M12™
Volts.....	12 V
USB Output Volts.....	5 V DC
Max USB Output Amps.....	3 A

Recommended Ambient

Operating Temperature..... -17°C to 50°C

FUNCTIONAL DESCRIPTION



- | | |
|----------------------------|------------------------|
| 1. Power button | 8. Light bar |
| 2. Battery fuel gauge | 9. Pause/Play button |
| 3. Battery bay (not shown) | 10. Volume up button |
| 4. Boot (not shown) | 11. Volume down button |
| 5. PACKOUT™ cleat | 12. Bluetooth® button |
| 6. USB-C port | 13. Bluetooth® LED |
| 7. Control panel | 14. Audio link button |
| | 15. Audio link LED |

ASSEMBLY

WARNING Recharge only with the charger specified for the battery. For specific charging instructions, read the operator's manual supplied with your charger and battery.

Inserting/Removing the Battery

To **insert** the battery, slide the pack into the body of the tool. Make sure it latches securely into place.

WARNING Only use accessories specifically recommended for this tool. Others may be hazardous.

To **remove** the battery, push in the release buttons and pull the battery pack away from the tool.

WARNING Always remove the battery pack any time the tool is not in use.

Low Battery Indicator

When the speaker's battery is low, a low battery tone will play every 60 seconds until the battery runs out of power and the speaker powers off.

USB Port

When the speaker is powered on, this USB port can be used to charge a cell phone, MP3 player, or any other device that uses less than 3 A of DC electrical current.

NOTE: Any device that uses more than 3 A of DC electrical current will trip a self-resetting overload and disable the output.

OPERATION

WARNING To reduce the risk of fire or electric shock, do not expose this speaker to rain or moisture.

Ⓞ Turning On/Off and Pairing to Bluetooth®

1. Insert the battery.
2. Press the power button Ⓞ. A tone will sound and the light bar will pulse, indicating the speaker has powered on.
3. The speaker will begin making a radar tone as it automatically searches for a Bluetooth® device. To pair a device to the speaker, select "Milwaukee M12 Jobsite Speaker" on the Bluetooth® capable device.
4. Once paired, the speaker will beep and the light bar will turn solid.
NOTE: The speaker will automatically reconnect to the last-paired device if it is in range when the speaker is turned on.
5. Once the device is successfully paired with the speaker, use the controls on the Bluetooth® capable device or the speaker to move through tracks and control volume.
6. To pair the speaker to a new device, hold down the Bluetooth® button ✖ for a few seconds. The speaker will begin making a radar tone and the light bar will pulse. Follow steps 3 and 4 with the new Bluetooth® capable device.
7. To turn the speaker off, press the power button Ⓞ.
NOTE: The speaker will automatically turn off after 30 minutes of inactivity.

Next/Previous Track

To move to the next track, double-press the play/pause button ▶.

To move to the previous track, triple-press the play/pause button ▶ twice.

Volume

Press or hold the volume down — and volume up + buttons to decrease or increase the volume. The light bar will fill to show the increase / decrease. A tone will play and the light bar will flash when maximum or minimum volume is reached.

Audio Link

Audio link allows more than one M12 JSSP2 speaker or any other Milwaukee audio link compatible speaker to be connected and controlled by the same Bluetooth® capable device.

To **activate** audio link:

1. Turn the first speaker on and connect to a Bluetooth® capable device.
2. Press the audio link button Ⓞ on the first speaker. A tone will play and the light bar will flash once before turning solid.
3. Turn on the second speaker.

- Press the audio link button **↻** on the second speaker. A tone will play. The second speaker's light bar will show the volume of the first speaker once connected.
- Repeat step 4 for each additional speaker.
- To **disconnect** an individual speaker, press the audio link **↻** button or turn the speaker off.
- To end audio link for all speakers, press audio link button **↻** on the first speaker or turn the first speaker off.

EQ Adjustment

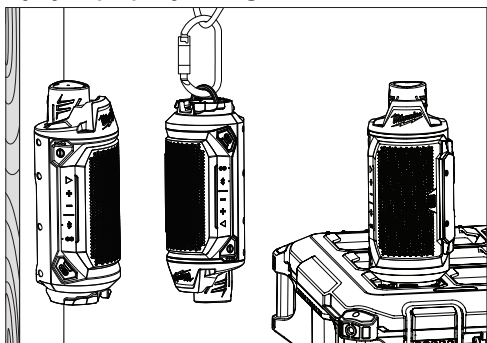
- To adjust level of bass, hold down the play/pause button **▶**. A bass tone will indicate you have entered bass adjustment mode.
NOTE: This speaker will exit EQ adjustment mode after a few seconds of inactivity. Make all adjustments quickly.
- Press the volume down **—**/ volume up **+** buttons to adjust the level of bass. The light bar will show the increase/decrease.
- To adjust level of **treble**, press the play/pause button **▶** again while in bass adjustment mode.
- Press the volume down **—**/ volume up **+** or the previous track / next track buttons to adjust the level of treble. The light bar will fill to show the increase / decrease.
- To exit EQ adjustment mode, press the play/pause button **▶** or wait a few seconds after adjusting the bass or treble. The light bar will revert back to a solid light when the speaker has exited EQ adjustment.

Mounting Options

There are several ways of mounting the speaker:

- Using the nail hook on the back of the speaker to hang it from a nail.
- Using the D-hook in the speaker's PACKOUT™ cleat to hang it from a rope or wire.
- Using the speaker's PACKOUT™ cleat to mount it on a PACKOUT™ tool box or Twist-To-Lock (Cat. No 48228399X).

⚠WARNING Do not mount on or in a vehicle or trailer. Doing so can result in injury or property damage.



Fuel Gauge

To determine the amount of charge left in the battery, turn the tool on. The fuel gauge will light up. When less than 10% of charge is left, 1 light on the fuel gauge will flash 4 times.

To signal the end of charge, 1 light on the fuel gauge will flash 8 times and the tool will not run. Charge the battery pack.

If the battery becomes too hot, the fuel gauge lights will flash and the tool will not run. Allow the battery to cool down.

Factory Reset

To reset the speaker to factory settings:

- Set the speaker to pairing mode by holding down the Bluetooth® button **✱** until the speaker makes a radar tone and the light bar begins to pulse. Press the Bluetooth® button **✱** again and the light bar begins to pulse. Do not connect the speaker to a device.
- Hold down the Bluetooth® **✱**, audio link **↻**, and play / pause buttons **▶** for 5 seconds. The speaker will reset to factory settings.

MAINTENANCE

⚠WARNING To reduce the risk of injury, always unplug the charger and remove the battery pack from the charger or tool before performing any maintenance. Never disassemble the battery pack, charger, or tool, except as provided in these instructions. Contact a MILWAUKEE® service facility for all other repairs.

Maintaining Tool

Keep your tool, battery pack and charger in good repair by adopting a regular maintenance program. Inspect the tool for issues such as undue noise, misalignment or binding of moving parts, breakage of parts, or any other condition that may affect the tool operation. Return the tool, battery pack, and charger to a MILWAUKEE® service facility for repair. After six months to one year, depending on use, return the tool, battery pack and charger to a MILWAUKEE® service facility for inspection.

If the tool does not start or operate at full power with a fully charged battery pack, clean the contacts on the battery pack. If the tool still does not work properly, return the tool, charger and battery pack, to a MILWAUKEE® service facility for repairs.

⚠WARNING To reduce the risk of personal injury and damage, never immerse your tool, battery pack or charger in liquid or allow a liquid to flow inside them.

Cleaning

Clean dust and debris from vents. Keep handles clean, dry and free of oil or grease. Use only mild soap and a damp cloth to clean, since certain cleaning agents and solvents are harmful to plastics and other insulated parts. Some of these include petrol, turpentine, lacquer thinner, paint thinner, chlorinated cleaning solvents, ammonia and household detergents containing ammonia. Never use flammable or combustible solvents around tools.

Repairs

For repairs, return the tool, battery pack and charger to the nearest service centre.

ACCESSORIES

⚠WARNING Use only recommended accessories. Others may be hazardous.

For a complete listing of accessories, go online to milwaukeeetool.com.au / milwaukeeetool.co.nz or contact a distributor.

WARRANTY - AUSTRALIA and NEW ZEALAND

Please refer to Australian and New Zealand warranty supplied with tool. This warranty applies only to product sold by authorised dealers in Australia and New Zealand.

SERVICE - AUSTRALIA and NEW ZEALAND

MILWAUKEE® prides itself in producing a premium quality product that is Nothing But Heavy Duty™. Your satisfaction with our products is very important to us! If you encounter any problems with the operation of this tool, please contact your authorised **MILWAUKEE®** dealer.

For a list of **MILWAUKEE®** dealers, guarantee or service agents please contact **MILWAUKEE®** Customer Service or visit our website.

(Australia Toll Free Telephone Number 1300 645 928)

(New Zealand Toll Free Telephone Number 0800 645 928)

or visit milwaukeetool.com.au/milwaukeetool.co.nz.

Milwaukee Electric Tool Corporation

13135 West Lisbon Road, Brookfield, Wisconsin U.S.A. 53005

Milwaukee Tool (Australia)

26 - 40 Nina Link, Dandenong South,
Victoria, 3175, Australia

Milwaukee Tool (New Zealand)

274 Church Street, Penrose,
Auckland, 1061, New Zealand

DESIGNED BY MILWAUKEE ELECTRIC TOOL CORP.